

# **CUSTOM-BILT METALS**

Brand Products



**CB-100**

**CB-150**

**CS-100**

**SL-100**

**SL-150**

**SLZ-1000**

*Details and Installation Guide*

*October 2013*

All information, descriptions and dimensions in this manual are current at the time of printing. As always, Custom-Bilt Metals in an effort to improve our product line reserves the right to make changes with products, details or designs, as necessary without notice and incurring no obligation. Please contact your local Custom-Bilt Metals Sales Representative for the most current information or visit our website at [www.custombiltmetals.com](http://www.custombiltmetals.com)



## Table of Contents

DETAIL	PAGE
Designer / Installer Notes.....	1
Designer / Installer Notes (cont.) .....	2
Special Instructions for Mechanical Seam Panels.....	3
R 1 Eave Detail.....	4
R 2 Eave / Alternate Detail.....	5
R 4 Eave / w/gutter Detail.....	6
R 6 Ridge / Hip Detail.....	7
R 7 Vented Ridge Detail.....	8
R 8 Peak Detail.....	9
R 9 Valley thru-fastened Detail.....	10
R 10 Valley cleat Detail.....	11
R 11 Rake Detail.....	12
R 12 Sidewall Detail.....	13
R 13 Headwall Detail.....	14
R 15 Headwall- Vented Detail.....	15
R 16 Transition.....	16
R 18 Radius Rake Detail.....	17
R 20 Pipe Penetration Detail.....	18
R 22 Eave / Isometric Detail.....	19
R 23 Valley / Isometric Detail.....	20
R 24 Ridge / Hip Isometric Detail.....	21
R 25 Zee Closure / Isometric Detail.....	22
R 26 Curb Penetration Detail.....	23
R 26a Curb Penetration / section Detail.....	24
R 26b Curb Penetration / section Detail.....	25
R 26c Curb Penetration / section Detail.....	26
R 27a Panel Lap Detail.....	27



# Designer/Installer Notes

## GENERAL

Custom-Bilt Metals (herein as CBM) is providing the following installation instructions and details as a guideline, and are CBM's recommended procedures. All local building codes and project specifications should be followed, however, in all cases, good roofing practices, and good workmanship should be employed when constructing a roofing system using CBM's products. These procedures and details are not intended to cover all instances, building requirements, designs, or codes. These details may require changes or revisions for each project, as conditions vary from project to project. The details provided are proven methods of construction. Work shall be performed by experienced craftsmen familiar with metal roofing products and current industry standards. Sheet Metal and Air Conditioning Contractors National Association (SMACNA) architectural sheet metal manual shall govern material and workmanship not shown. Prefinished metals should not be required to have soldered joints because of expense and possible warranty violations by removing the coating system at the joint. Other joint designs and high quality sealants, gaskets and tapes are available and are recommended for prefinished metals. Note; Zincolume material cannot be soldered.

## METAL ROOF SYSTEM

CBM's roof systems may be fabricated using Zincolume, G-90 galvanized steel, copper or aluminum. Various gauges are available; contact a CBM sales representative for details. The steel and aluminum panels are available prefinished in a full 70% PVDF (Polyvinylidene fluoride) or Kynar 500® or Hylar® 5000 or Fluropon® paint system. Bare Zincolume (Zincolume Plus) is also available. The paint system consists of a baked-on epoxy primer (.2 mil.) and a baked-on PVDF finish coat (.8 mil.) totaling a nominal 1.0 mil. dry film thickness. All flashing and trim (unless requested otherwise) are of the same gauge and finish as the roof panels. Refer to your project specifications for actual requirements. Note; high build paint systems are available and may be required for salt water environments.

## SEALANTS

Sealants not exposed to direct sunlight should consist of either an elastic butyl rubber tape or a non-skinning, non-drying gun-able butyl. Single part polyurethane's should be used when exposed to ultraviolet light. All sealants should be applied to clean, dry surfaces to ensure weather tightness. Sealants shall be installed as shown without voids.

## SUBSTRATE

CBM recommends a solid substrate (15/32" plywood, APA rated OSB, metal decking, etc.) for your metal roof system. The substrate must be on an even plane from eave to ridge to avoid panel distortion. The plane of the substrate should not vary more than 1/4" in 20 feet. SL1750 panel profile can be installed over spaced structural members; contact a CBM sales representative for details.

## UNDERLAYMENT

Minimum underlayment recommendations consist of ASTM Type 30 felt (or equal), a non-asphalt fiberglass-based underlayment, or a high temperature self-adhering rubberized membrane. The underlayment used may depend on specific project conditions. Installation procedures shall be as recommended by underlayment manufacturer. Items to consider in the choice of underlayment are roof slope, panel profile, elevation (snow conditions), fire rating requirements, etc.

## OIL CANNING

Flat metal panel surfaces will display some degree of waviness. This waviness is commonly referred to as "oil-canning". Oil canning is caused by a variety of conditions; steel mill tolerances, underlayments, variations in the substrate, and installation practices. Oil canning is a characteristic of metal roofing, and not a cause for rejection. CBM recommends using striations or stiffing ribs to help minimize or control the amount of oil canning.

## SNOW DESIGN

The following details do not address certain snow conditions. Special consideration is needed when installing a metal roof system in heavy snow environments. Contact a CBM sales representative for details.

## DELIVERY & STORAGE

Check shipment against shipping list. Report any damaged material to CBM immediately. Handle panels and bundles with care. Crated panels shall be lifted at blocked locations. Do not use ropes or wires for lifting. Long panels (25 ft. or more) may require two or more lift points to avoid bending or buckling of panels. Store panels in a dry, well ventilated area. Elevate one end of panels to allow for drainage of any moisture. Block panels off the ground. Do not store panels in direct contact with the ground. Do not allow strippable film to remain exposed to direct sunlight for an extended period of time. Remove strippable film prior to, or immediately after, installation of panels and flashing. Do not walk directly on standing seams. Wear shoes with non-marking soles.

## GENERAL INSTALLATION INFORMATION

1. CBM recommends the use of a clutch / torque adjustable screw gun to properly install all fasteners referenced in this manual. Do not spin / strip any clip fasteners. Do not over torque or over drive any fasteners with neoprene washers.
2. If cutting is required, the panels must be cut with snips, shears or nibblers to prevent edge rusting. Do not use saws, abrasive blades, grinders or torches. All metal shavings (swarf) must be removed from panels and flashings immediately.
3. It is the responsibility of the installer to use safe construction practices and compliance with any and all state and Federal OSHA regulations.



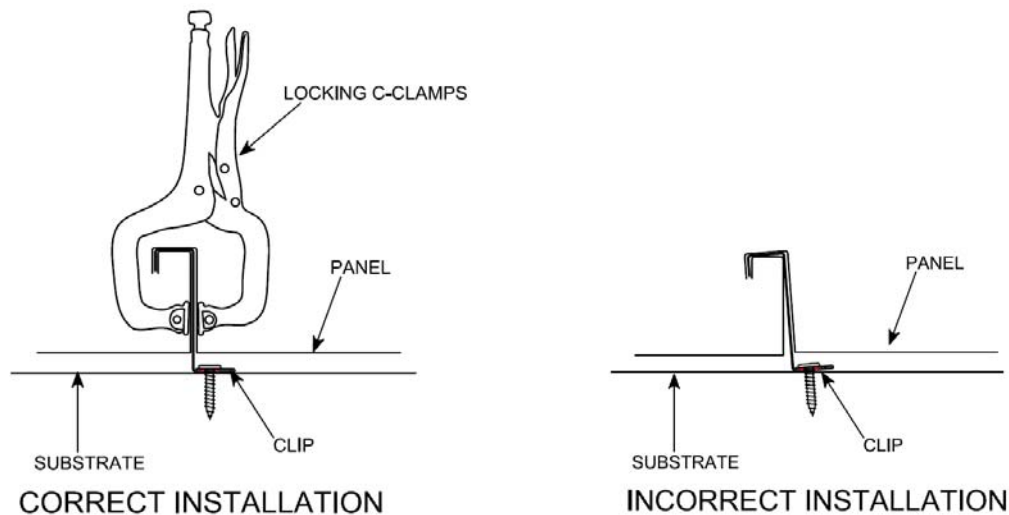
## Designer/Installer Notes (cont.)

### GENERAL INSTALLATION INFORMATION

1. CBM recommends the use of a clutch / torque adjustable screw gun to properly install all fasteners referenced in this manual. Do not spin / strip any clips fasteners. Do not over torque or over drive any fasteners with neoprene washers.
2. If cutting is required, the panels must be cut with snips, shears or nibblers to prevent edge rusting. Do not use saws, abrasive blades, grinders or torches. All metal shavings (swarf) must be removed from panels and flashings immediately.
3. It is the responsibility of the installer to use safe construction practices and compliance with any and all state and Federal OSHA regulations.

### IMPORTANT INSTALLATION FOR Mechanically Seamed Profiles

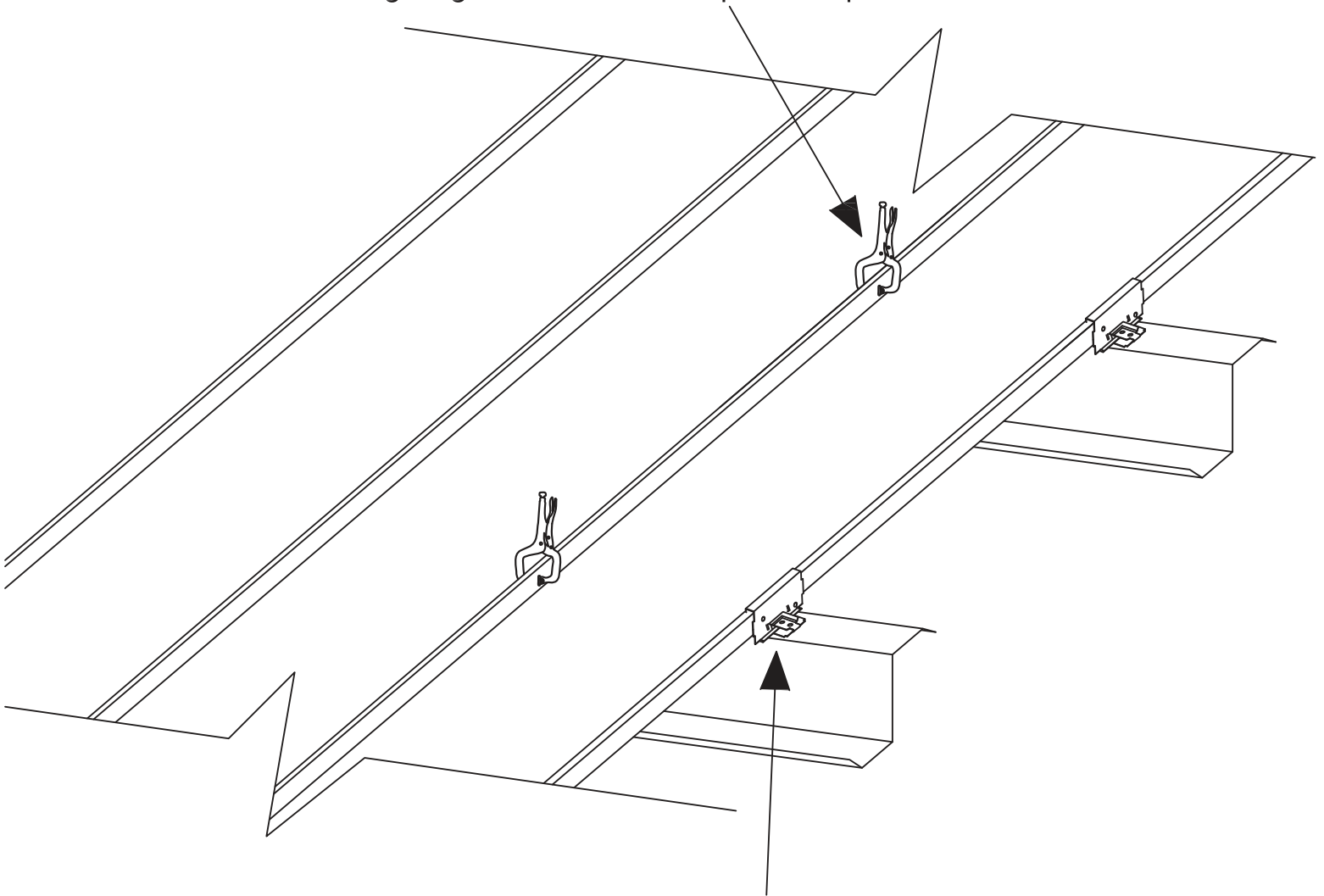
1. Before attaching clips to substrate, ensure the vertical legs of the clips are tight to the vertical leg of the panel. Failure to keep the legs vertical will affect panel module and may affect the seaming tool. See figures below.
2. For all subsequent panels, clamp panel seams together at both ends. For panels longer than 20 feet additional clamps will be needed throughout the panel. This will help maintain panel module.
3. CBM requires all panels be seamed 90° at all clip locations using a hand crimping tool. Panels should be fully seamed with electric seaming machine as soon as possible.
4. The use of any seaming machines not approved by CBM may damage the panels and void any warranties.





## Special Instructions for Mechanical Seam Panels CB100 / CB150 / CB2000

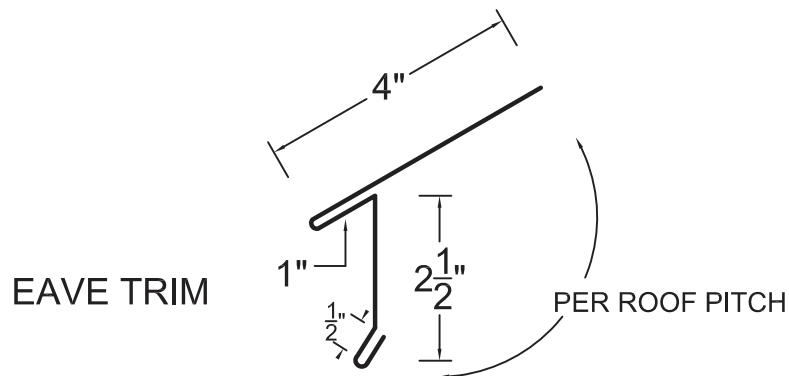
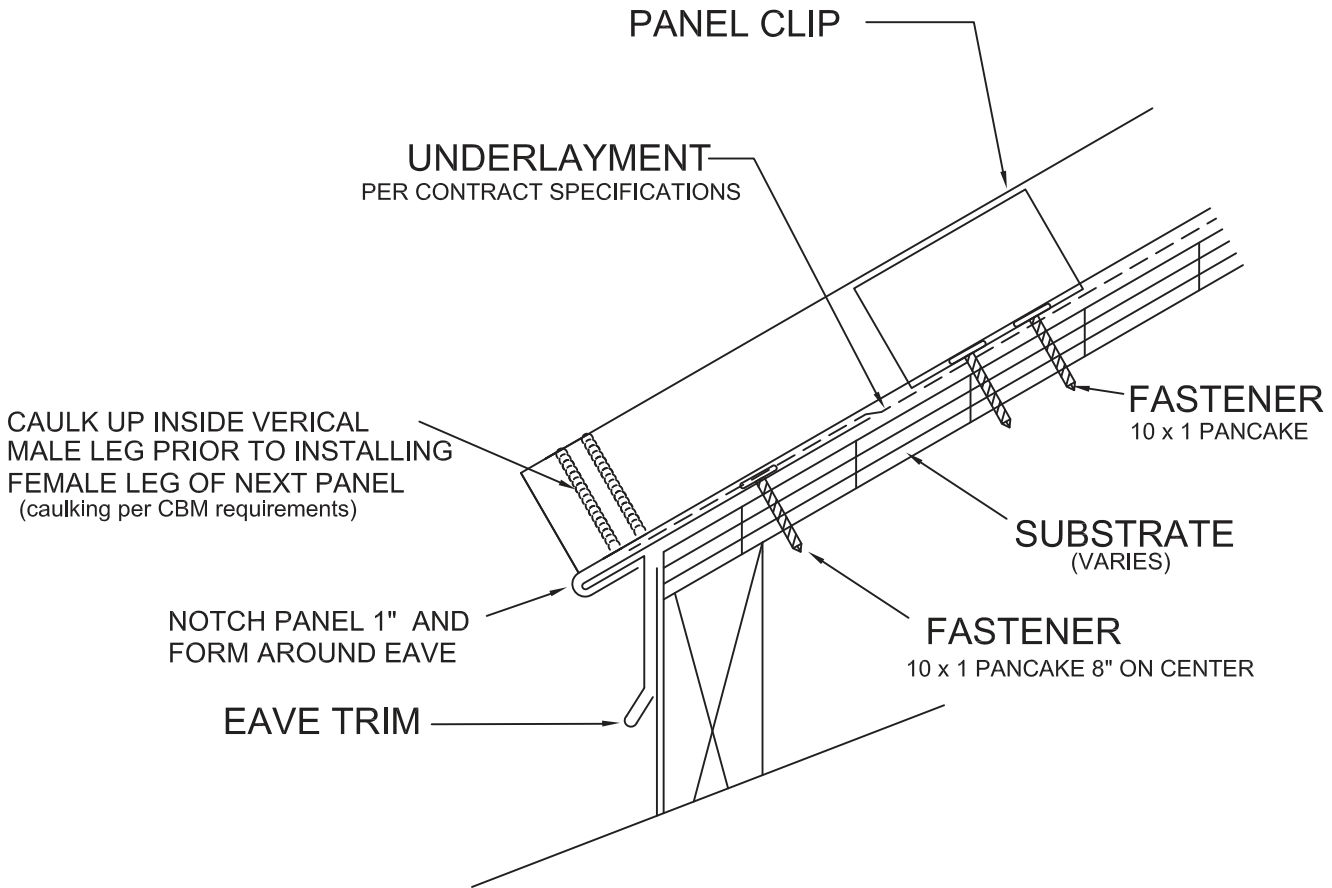
1. Before installing clips, place locking clamps along standing seams at clip locations to draw legs together. This will help control panel module.



2. With locking clamps in place install clips and fasten. Keep clips tight against panel leg. Substrate will vary per specific conditions

Gaps between panel will affect panel module and may affect the electric seaming tool.

All Flashing and Trim available through CBM	Note: GUIDELINES APPLY TO ALL SUBSTRATE CONDITIONS
SUBJECT TO CHANGE WITHOUT NOTICE	

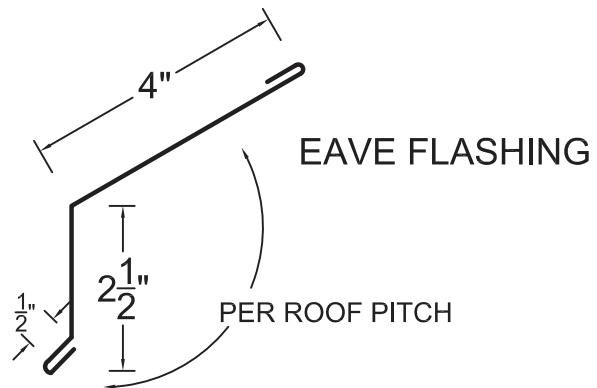
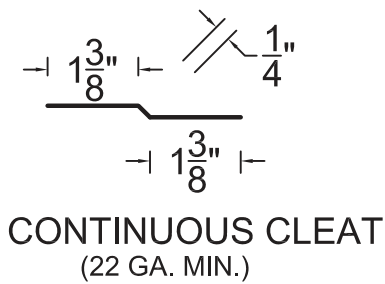
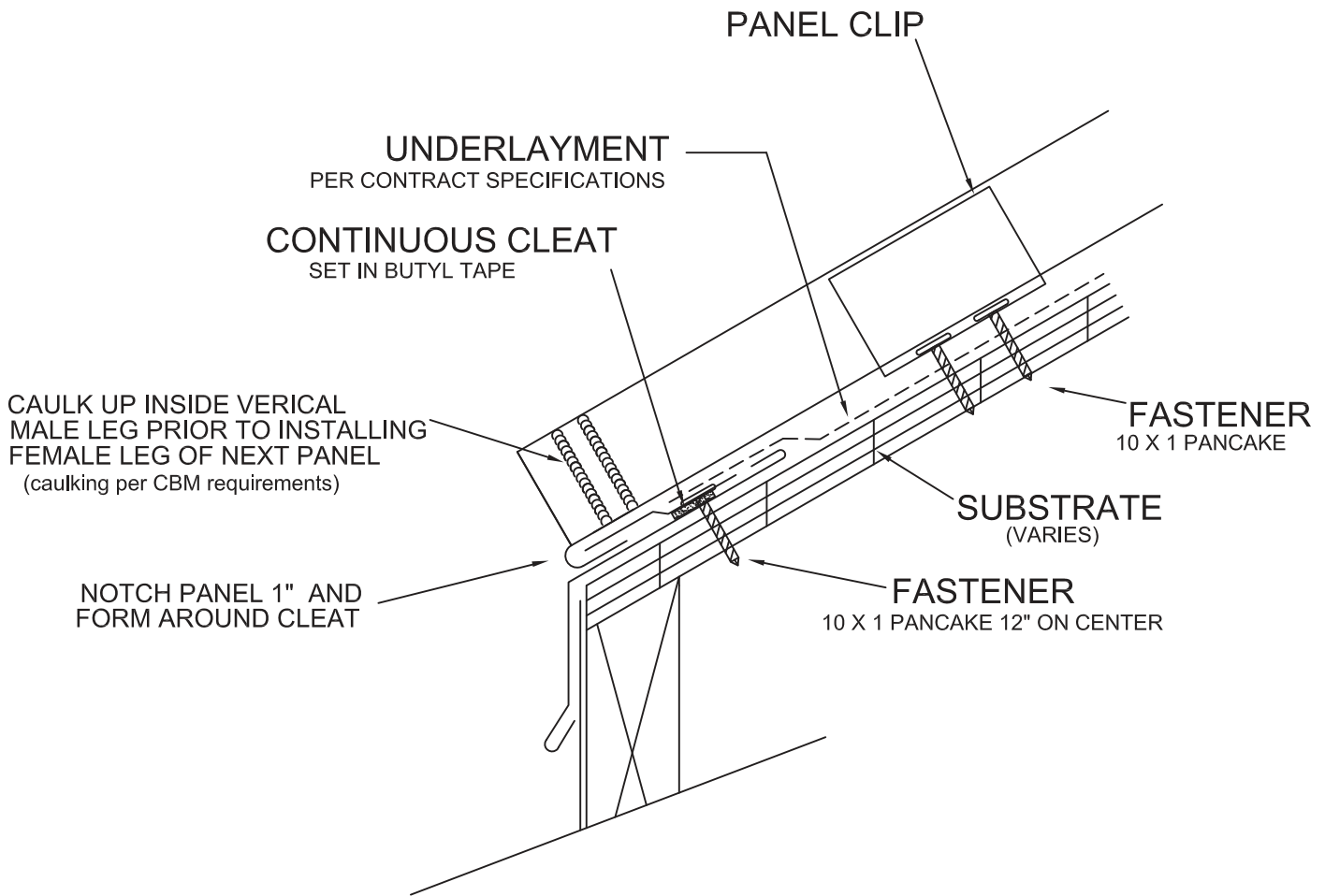


**DRAWING: R1 EAVE**

All Flashing and Trim available through CBM	Note:
SUBJECT TO CHANGE WITHOUT NOTICE	

# CUSTOM-BILT METALS

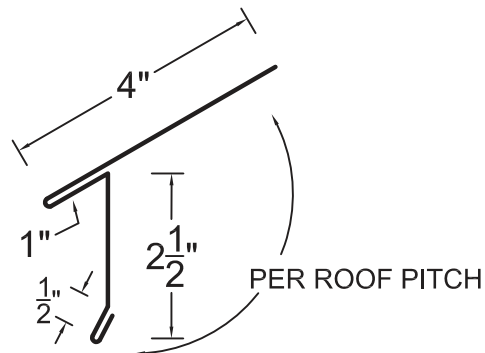
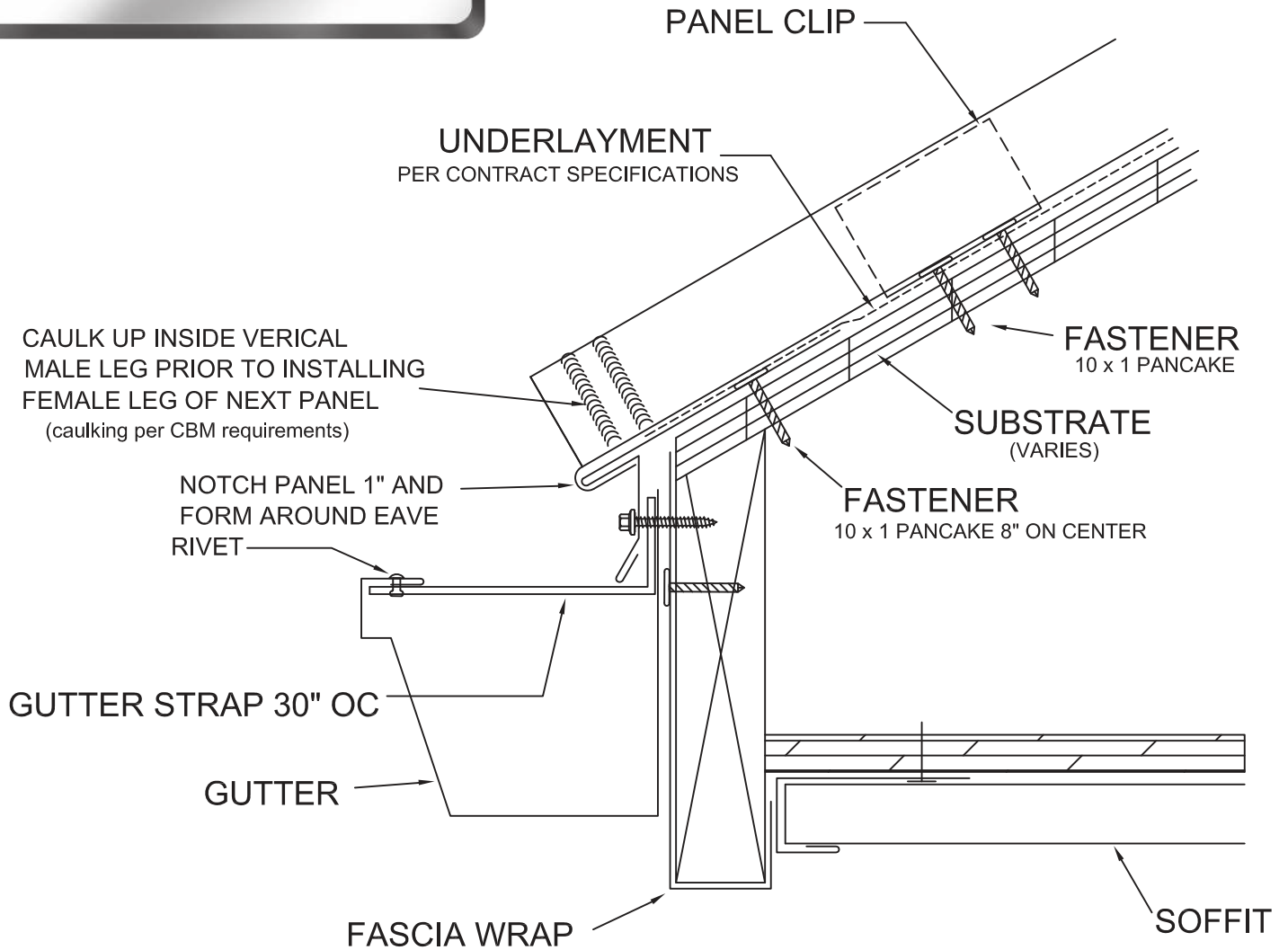
Brand Products



## DRAWING: R2 EAVE / alternate

All Flashing and Trim available through CBM	Note:
SUBJECT TO CHANGE WITHOUT NOTICE	



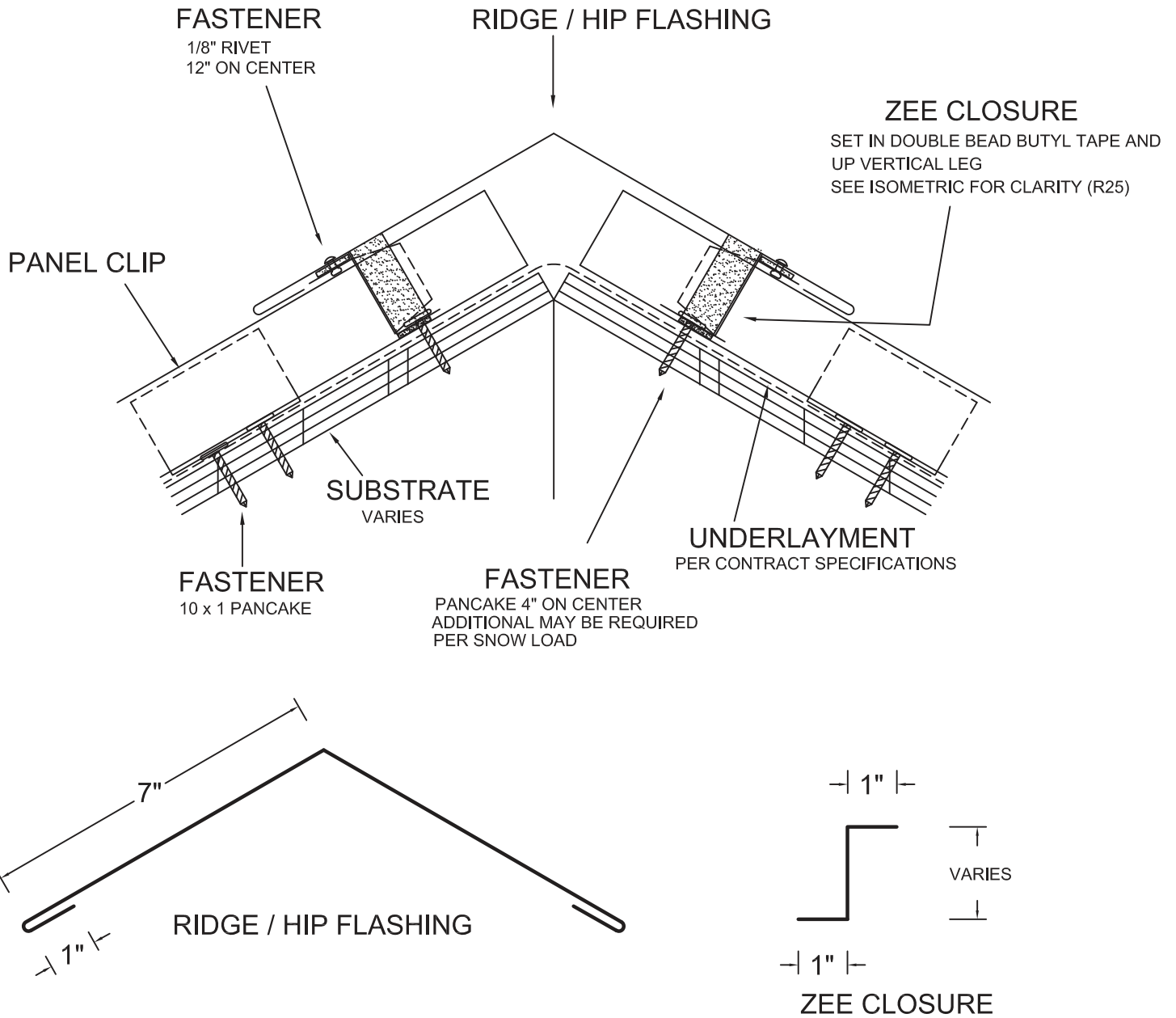


**DRAWING: R4 EAVE w/ gutter**

All Flashing and Trim available through CBM	Note:
SUBJECT TO CHANGE WITHOUT NOTICE	

# CUSTOM-BILT METALS

Brand Products

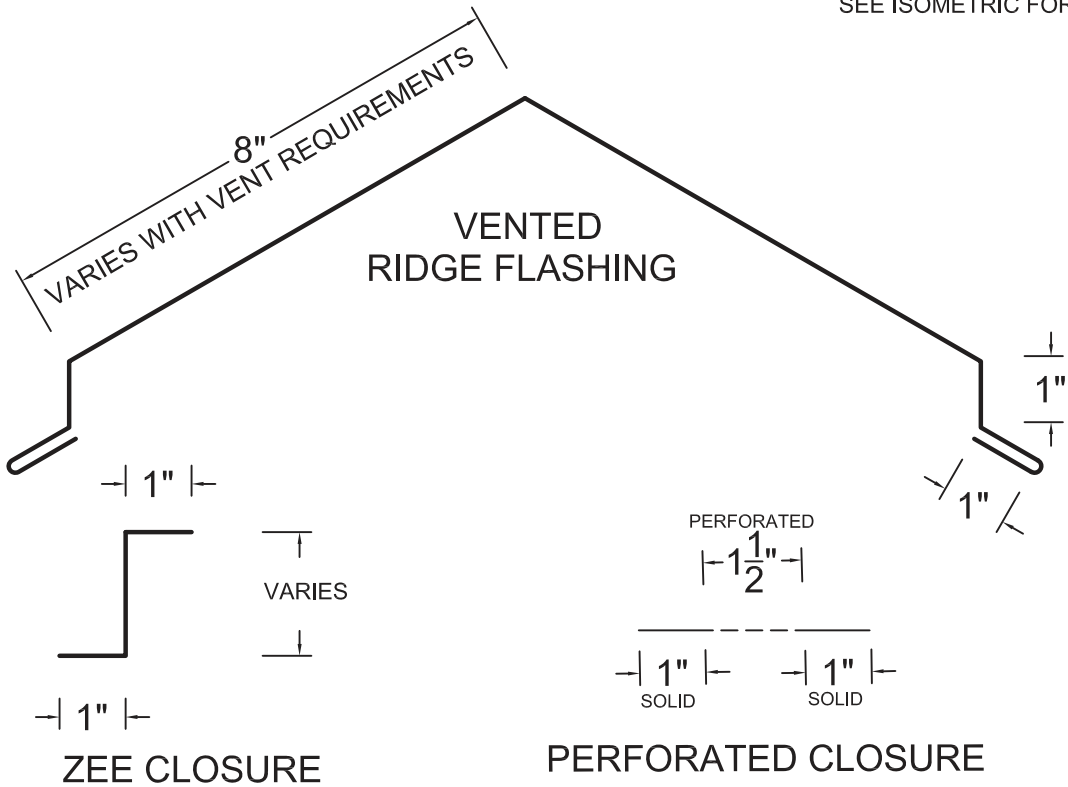
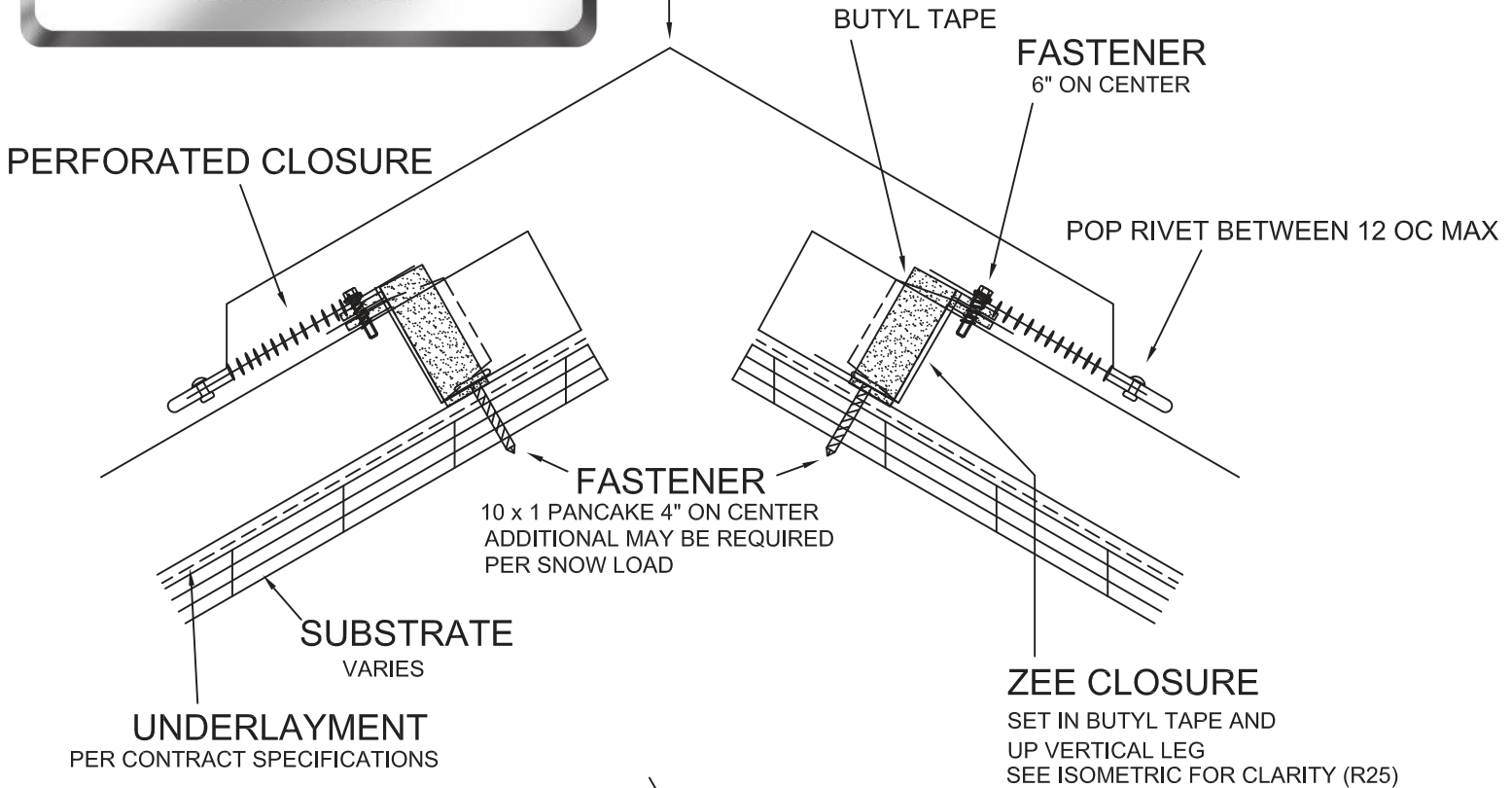


## DRAWING: R6 RIDGE / HIP

All Flashing and Trim available through CBM	Note:
SUBJECT TO CHANGE WITHOUT NOTICE	



VENTED  
RIDGE FLASHING

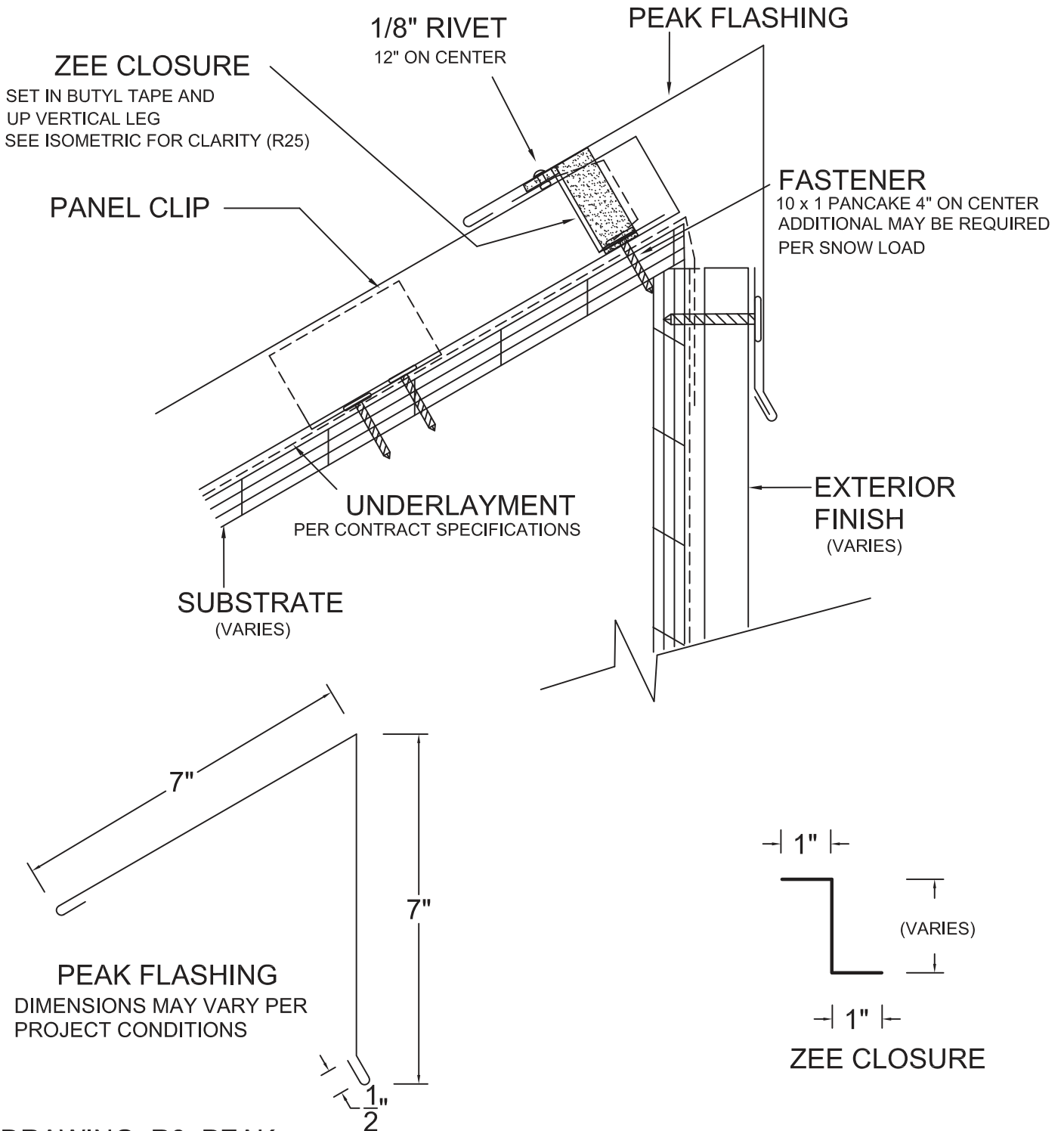


DRAWING: R7 VENTED RIDGE

All Flashing and Trim available through CBM	Note:
SUBJECT TO CHANGE WITHOUT NOTICE	

# CUSTOM-BILT METALS

Brand Products

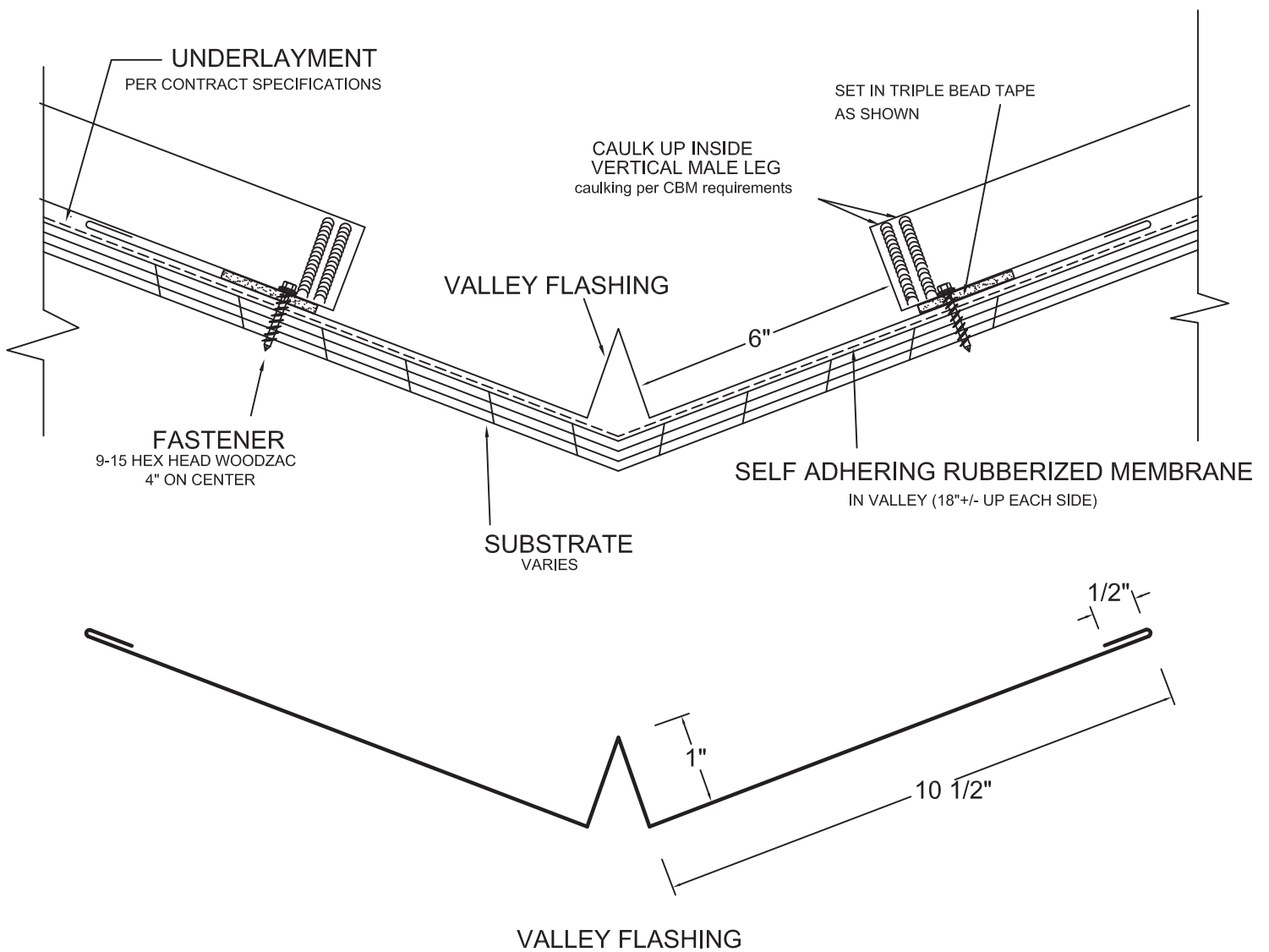


**DRAWING: R8 PEAK**

All Flashing and Trim available through CBM	Note:
SUBJECT TO CHANGE WITHOUT NOTICE	

# CUSTOM-BILT METALS

Brand Products



## DRAWING: R9 VALLEY thru-fastened

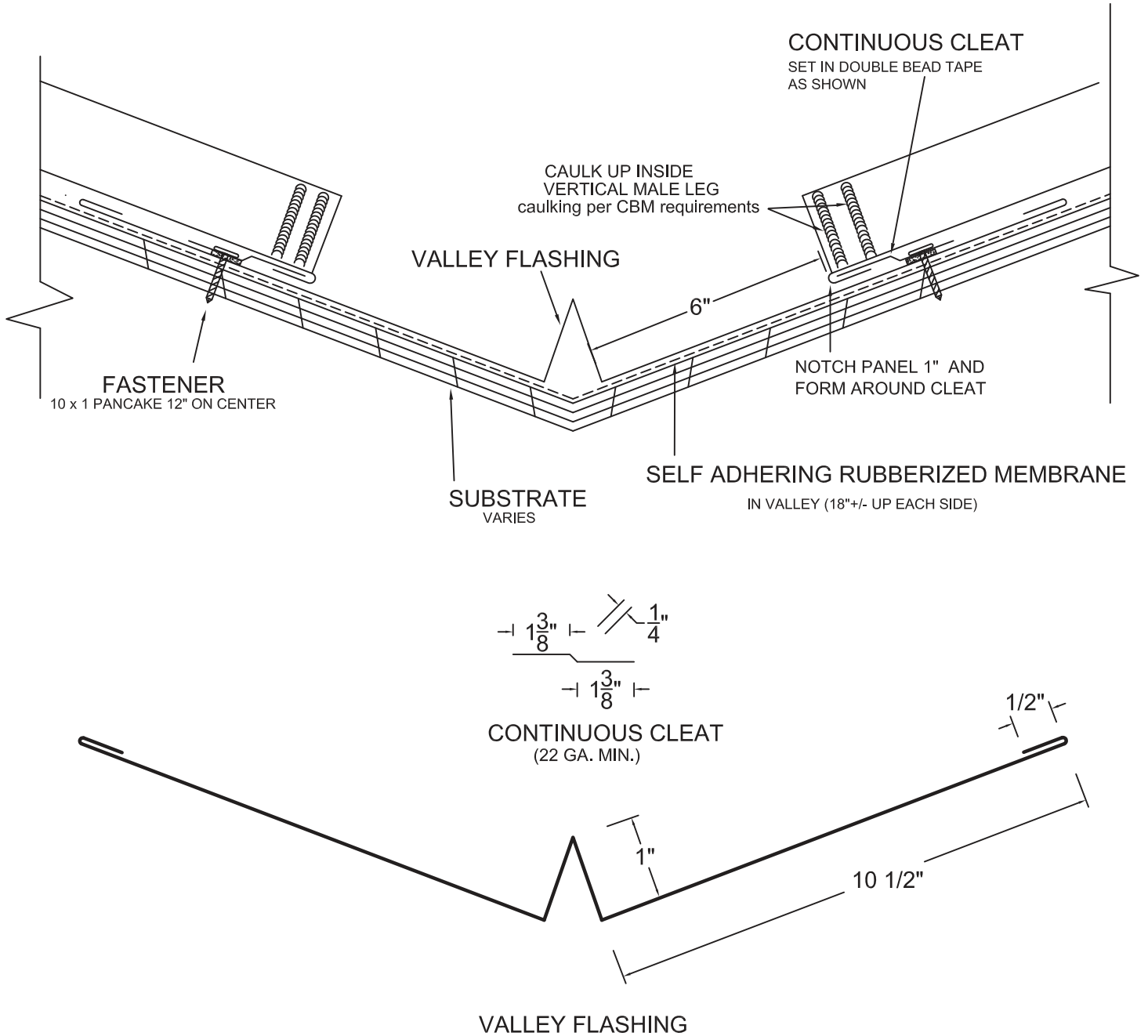
All Flashing and Trim available through CBM

Note: Use at roof pitch under 3" in 12" CB100 / CB150 / CB2000

SUBJECT TO CHANGE WITHOUT NOTICE

# CUSTOM-BILT METALS

Brand Products



## DRAWING: R10 VALLEY cleat

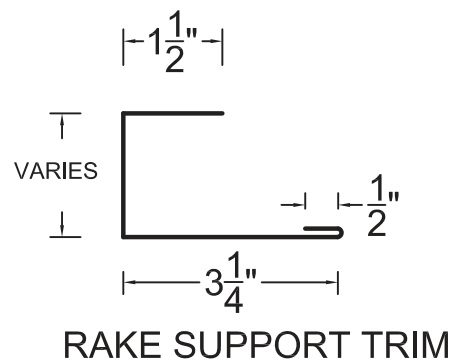
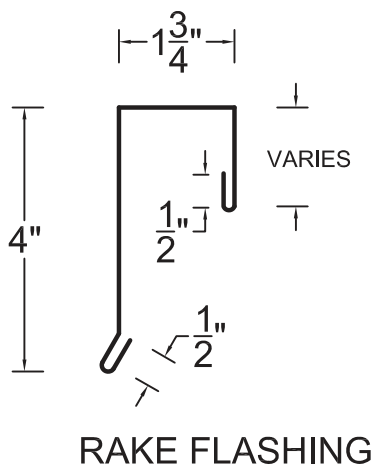
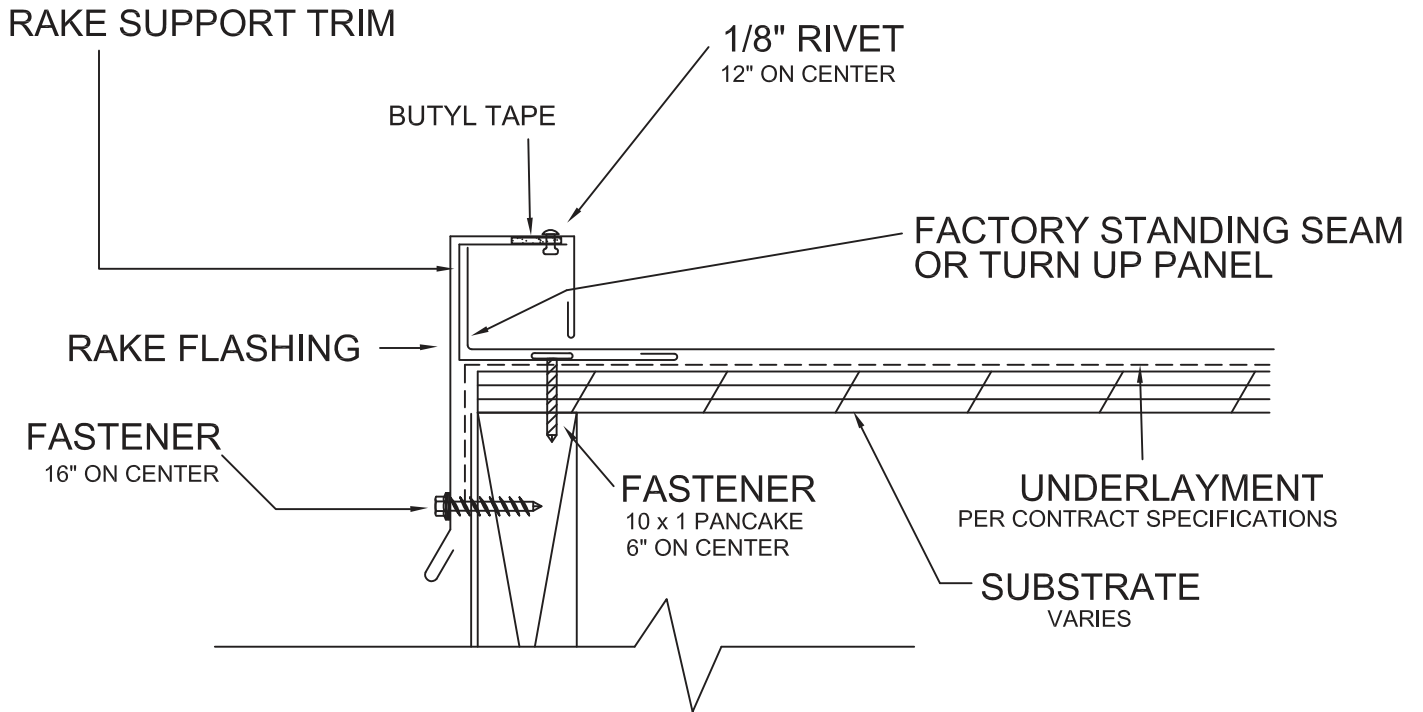
All Flashing and Trim available through CBM

SUBJECT TO CHANGE WITHOUT NOTICE

Note: Use at roof pitch 3" in 12" or greater  
Do not use at roof pitch under 3" in 12"

# CUSTOM-BILT METALS

Brand Products

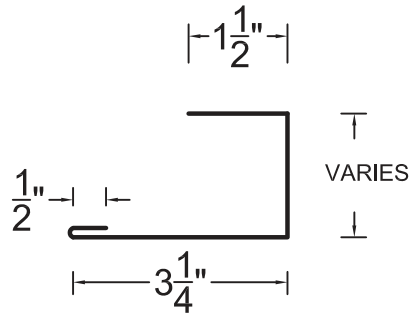
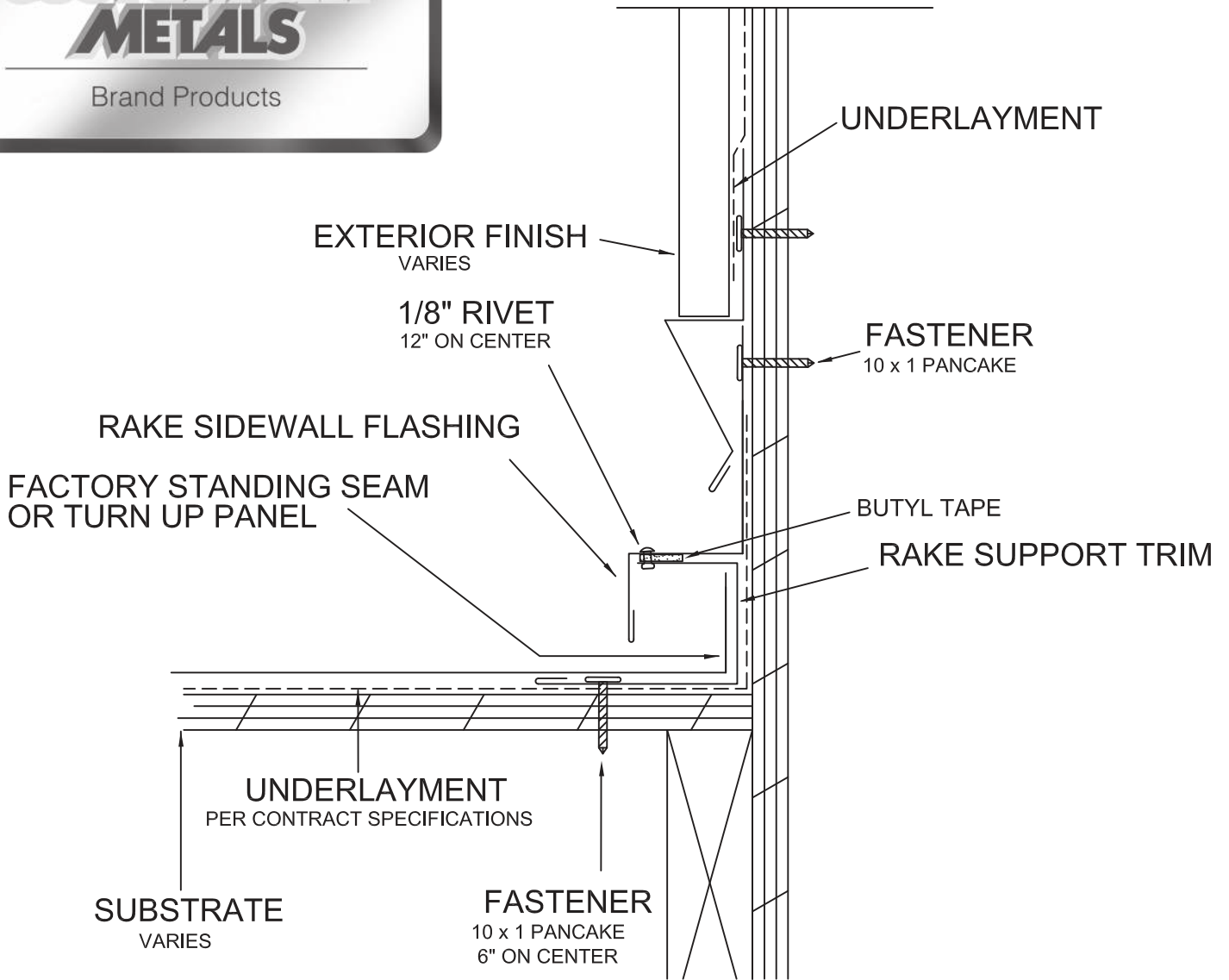


## DRAWING: R11 RAKE

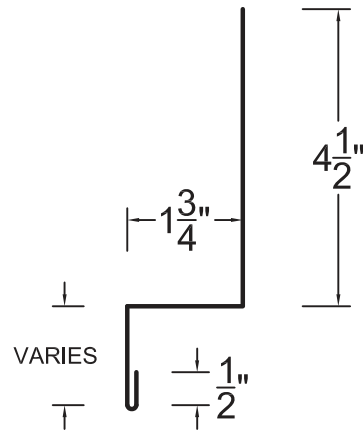
All Flashing and Trim available through CBM	Note:
SUBJECT TO CHANGE WITHOUT NOTICE	

# CUSTOM-BILT METALS

Brand Products



RAKE SUPPORT TRIM

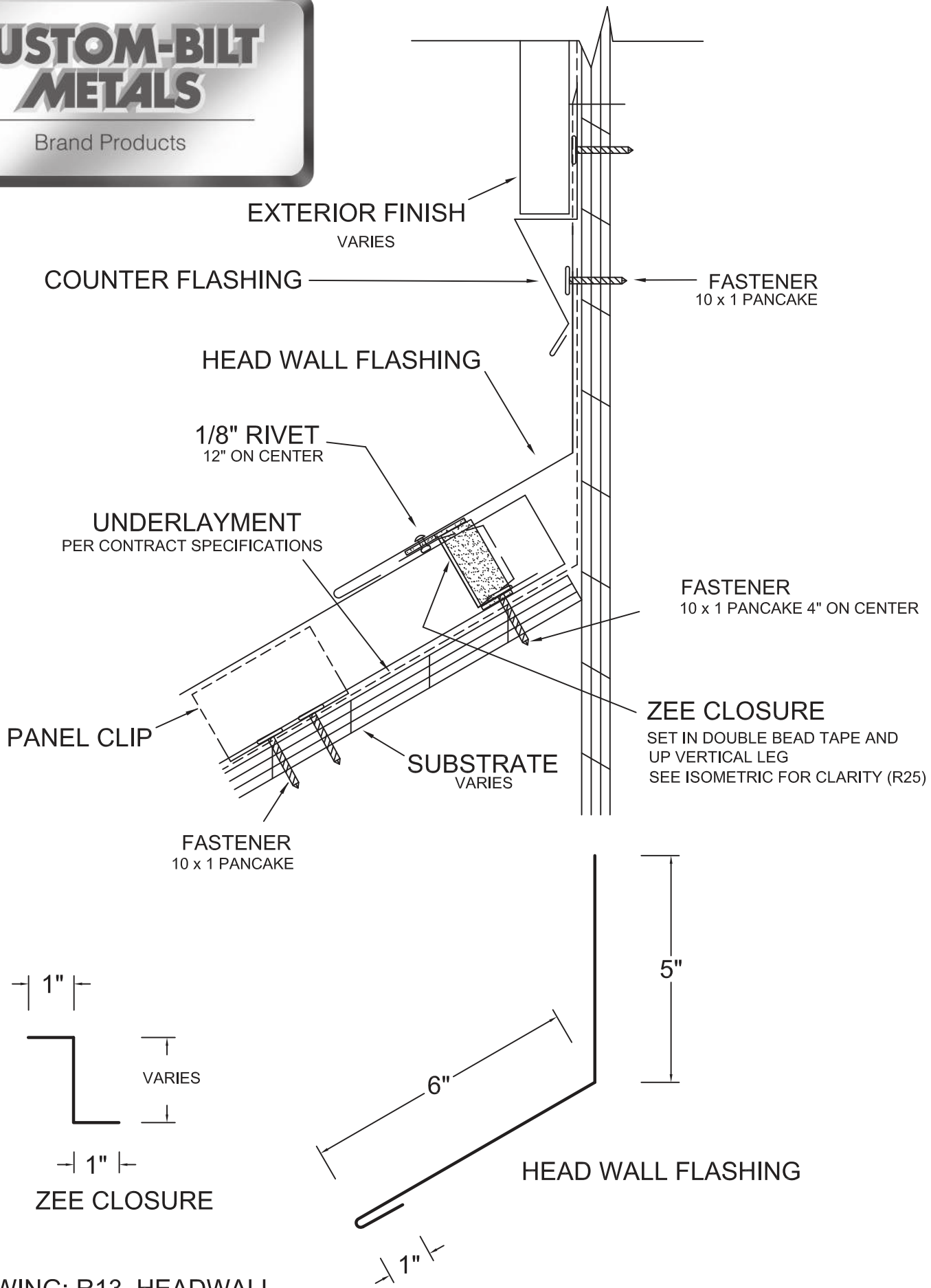


RAKE SIDEWALL FLASHING

## DRAWING: R12 SIDEWALL

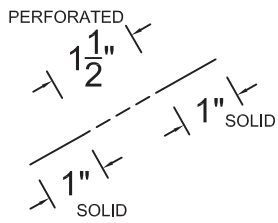
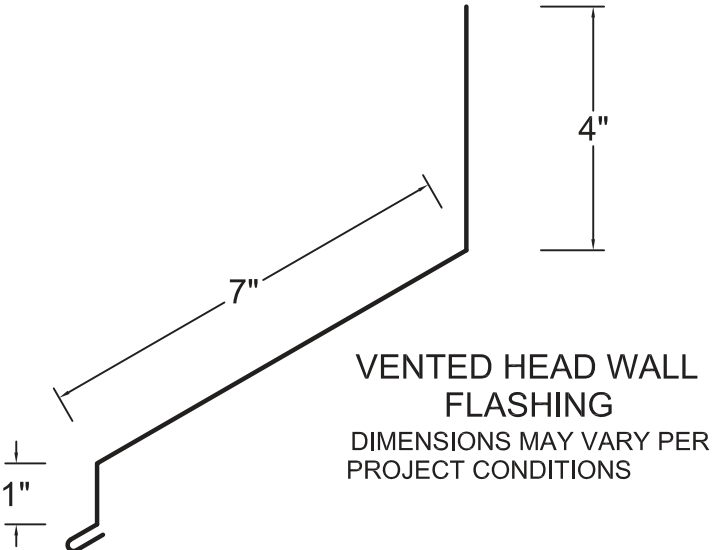
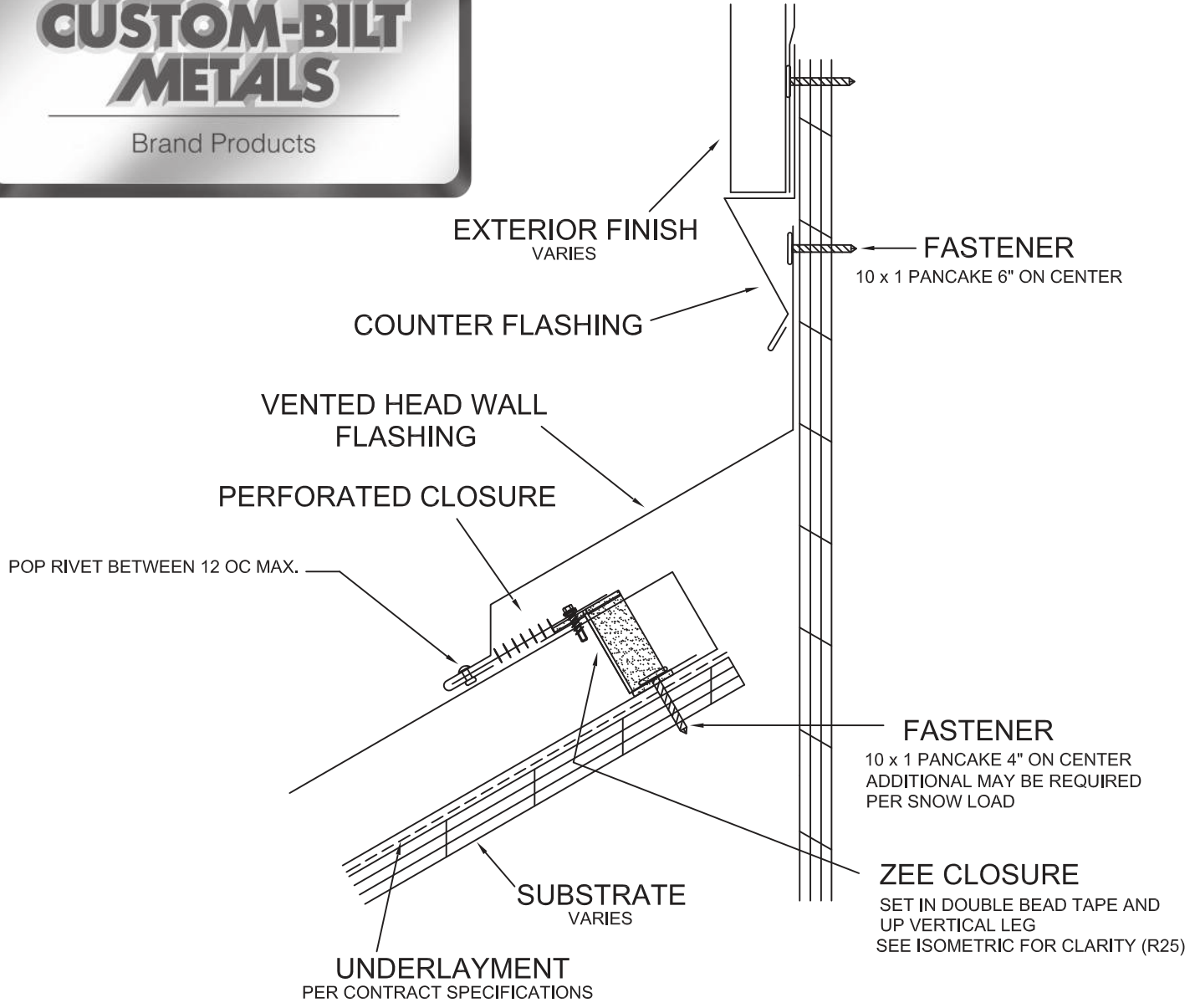
All Flashing and Trim available through CBM	Note:
SUBJECT TO CHANGE WITHOUT NOTICE	





**DRAWING: R13 HEADWALL**

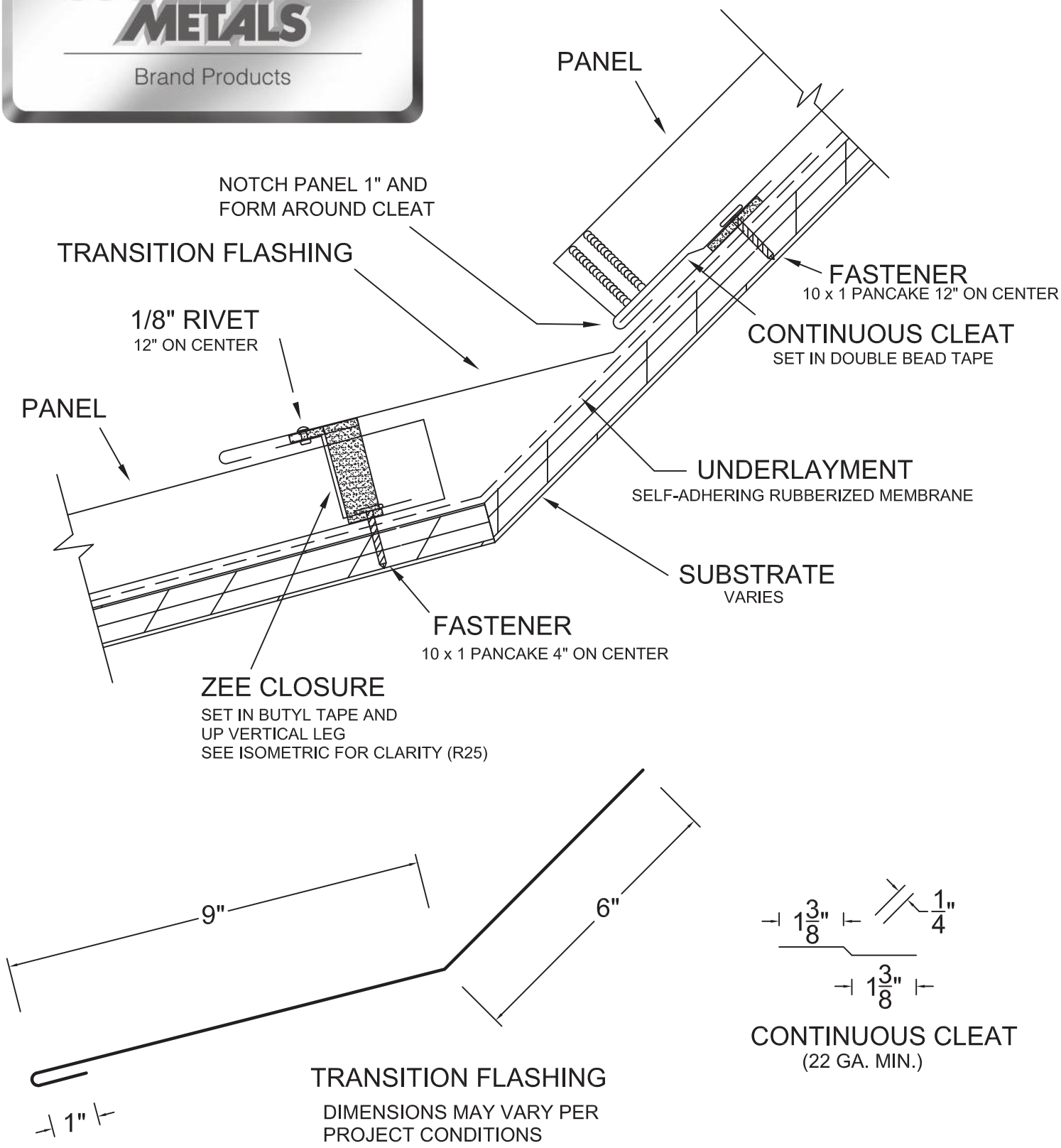
All Flashing and Trim available through CBM	Note:
SUBJECT TO CHANGE WITHOUT NOTICE	



PERFORATED CLOSURE

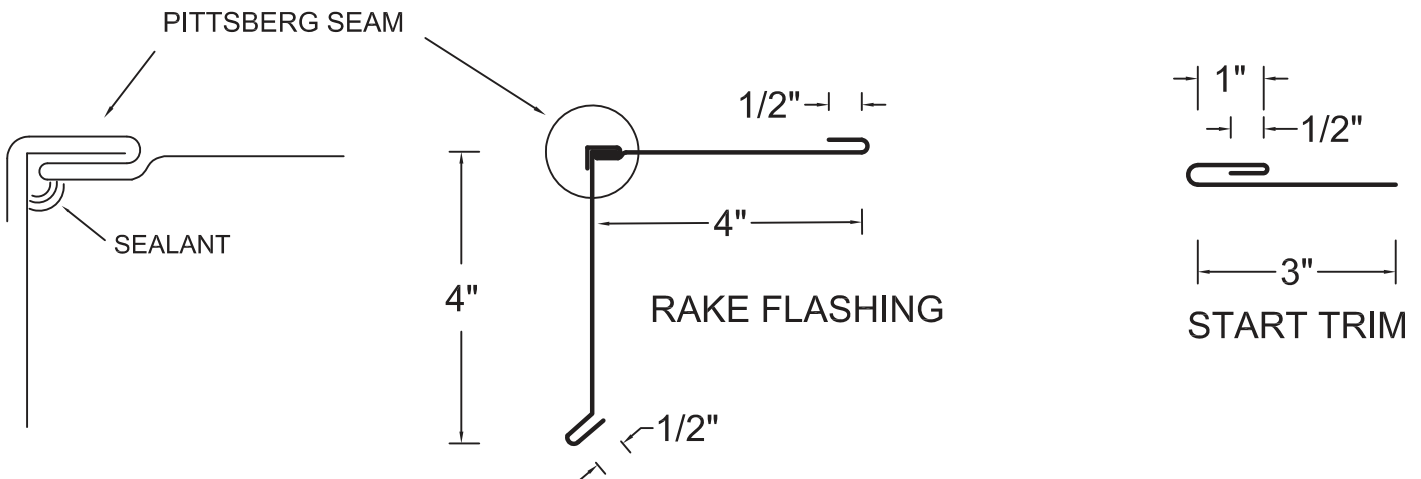
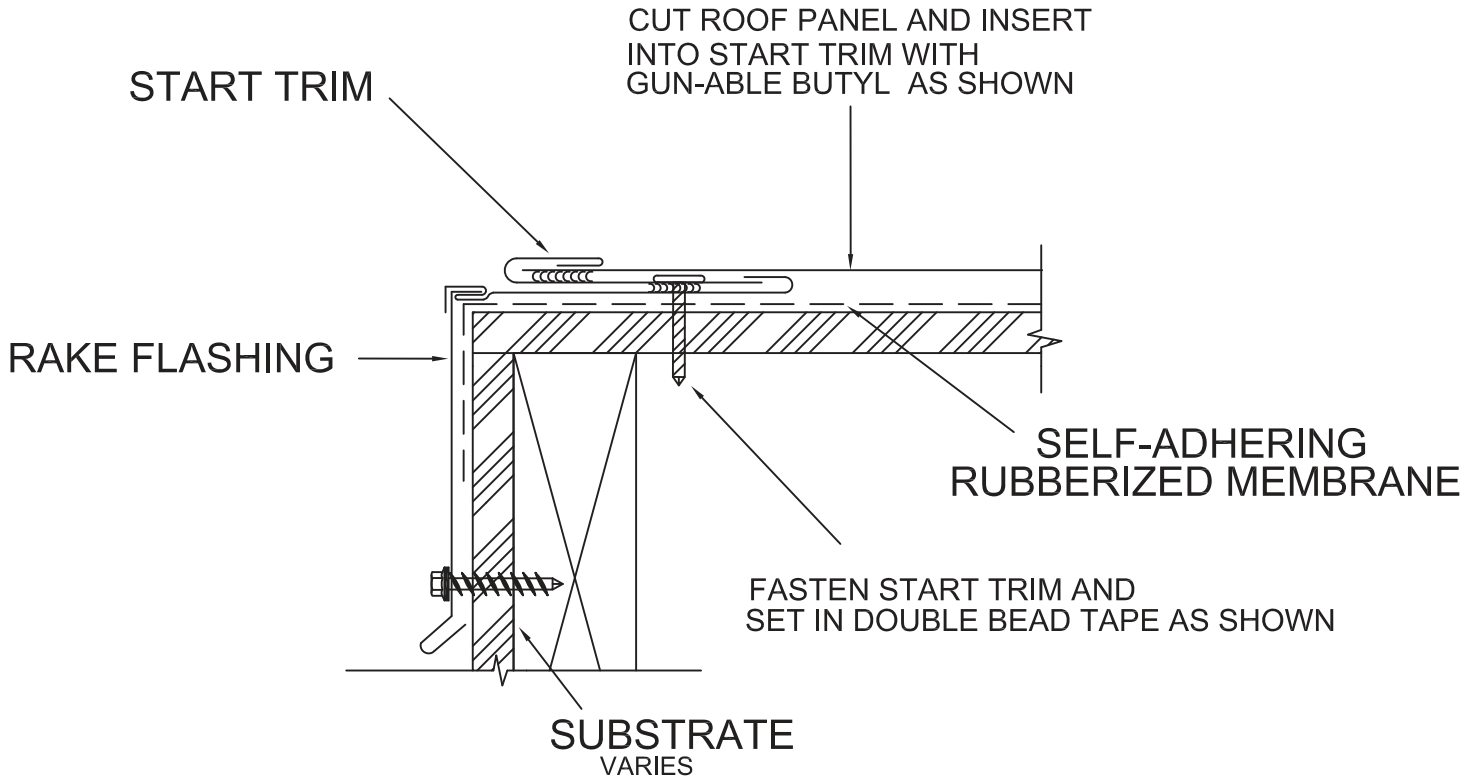
**DRAWING: R15 HEADWALL- VENTED**

All Flashing and Trim available through CBM	Note:
SUBJECT TO CHANGE WITHOUT NOTICE	



**DRAWING: R16 TRANSITION**

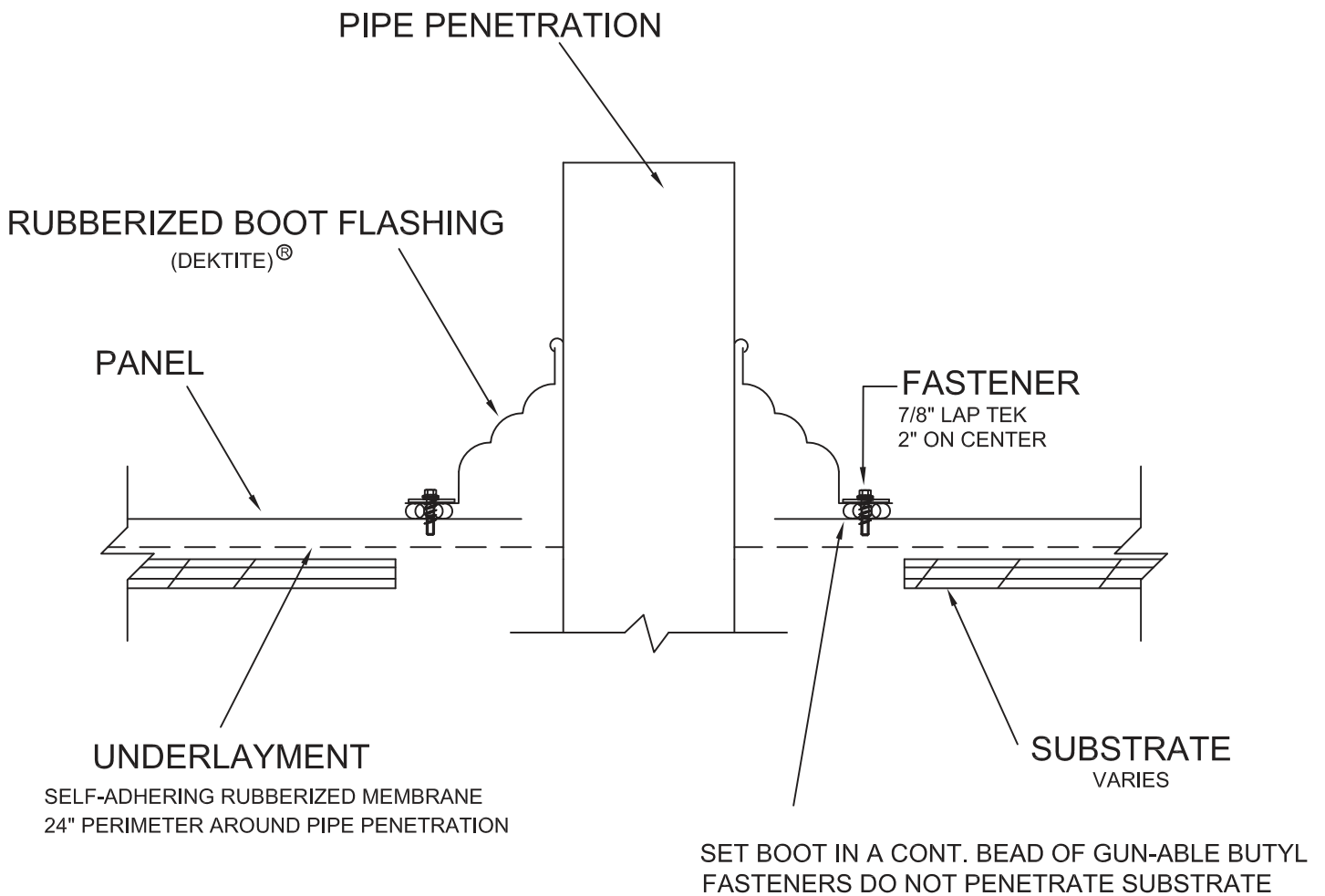
All Flashing and Trim available through CBM	Note:
SUBJECT TO CHANGE WITHOUT NOTICE	



RADIUS RAKE ONLY

**DRAWING: R18 RADIUS RAKE**

All Flashing and Trim available through CBM	Note:
SUBJECT TO CHANGE WITHOUT NOTICE	

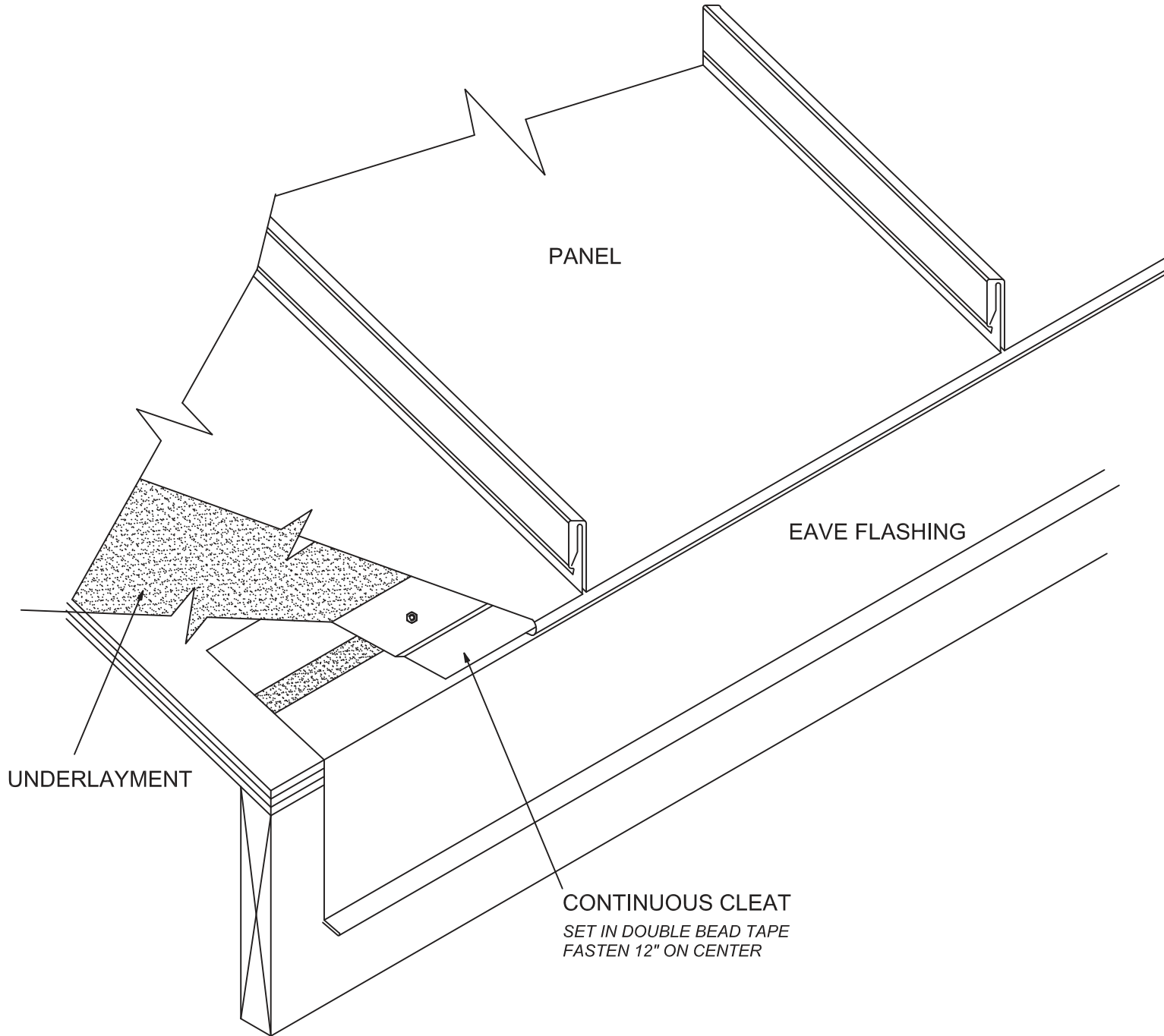


**DRAWING: R20 PIPE PENETRATION**

All Flashing and Trim available through CBM	Note: Not to be used if size restricts water flow around panel
SUBJECT TO CHANGE WITHOUT NOTICE	

# CUSTOM-BILT METALS

Brand Products



## DRAWING: R22 EAVE / ISOMETRIC

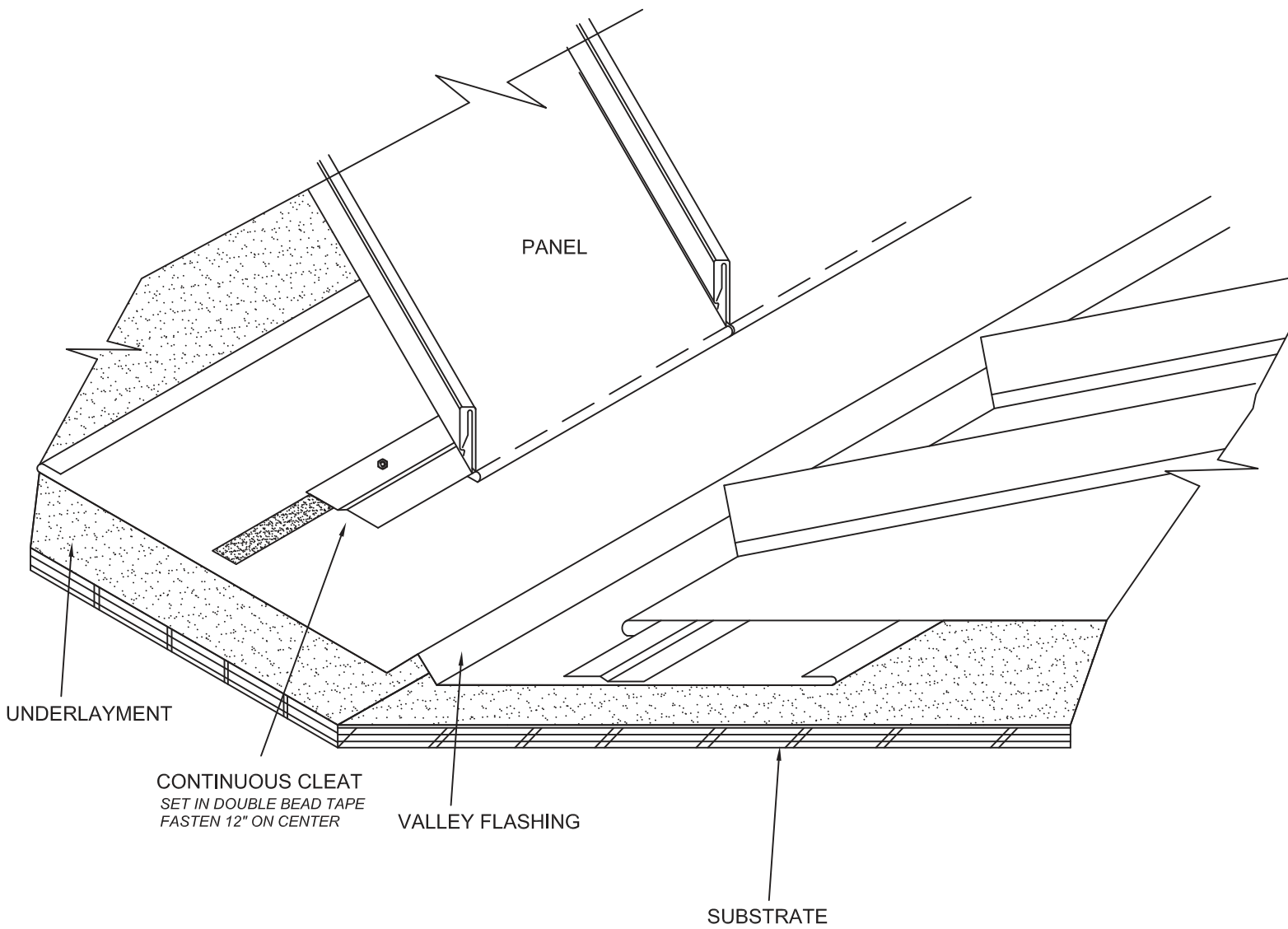
All Flashing and Trim available through CBM

Note:

SUBJECT TO CHANGE WITHOUT NOTICE

# CUSTOM-BILT METALS

Brand Products

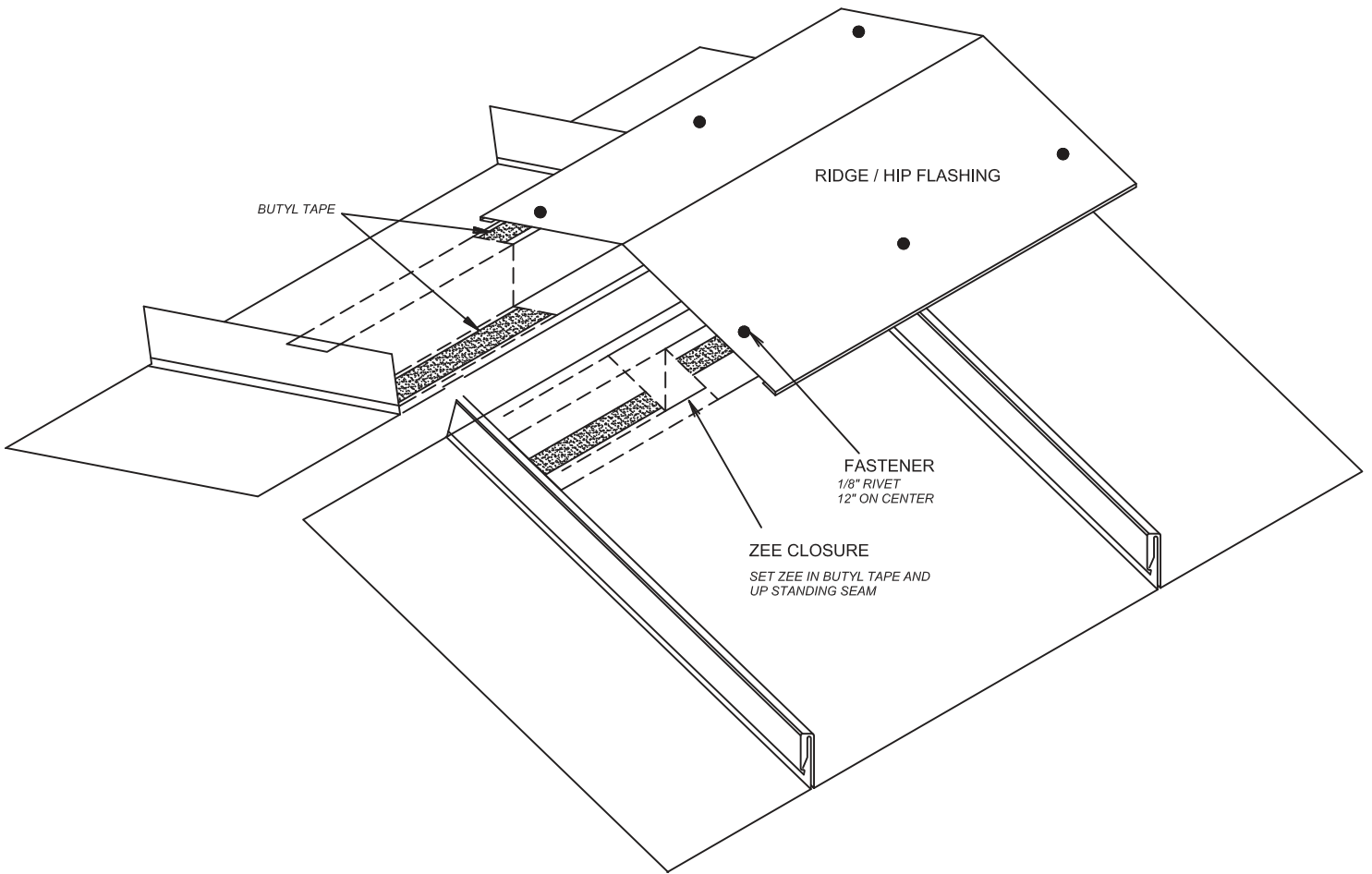


## DRAWING: R 23 VALLEY / ISOMETRIC

All Flashing and Trim available through CBM

Note:

SUBJECT TO CHANGE WITHOUT NOTICE



**DRAWING: R24 RIDGE / HIP ISOMETRIC**

All Flashing and Trim available through CBM	Note:
SUBJECT TO CHANGE WITHOUT NOTICE	

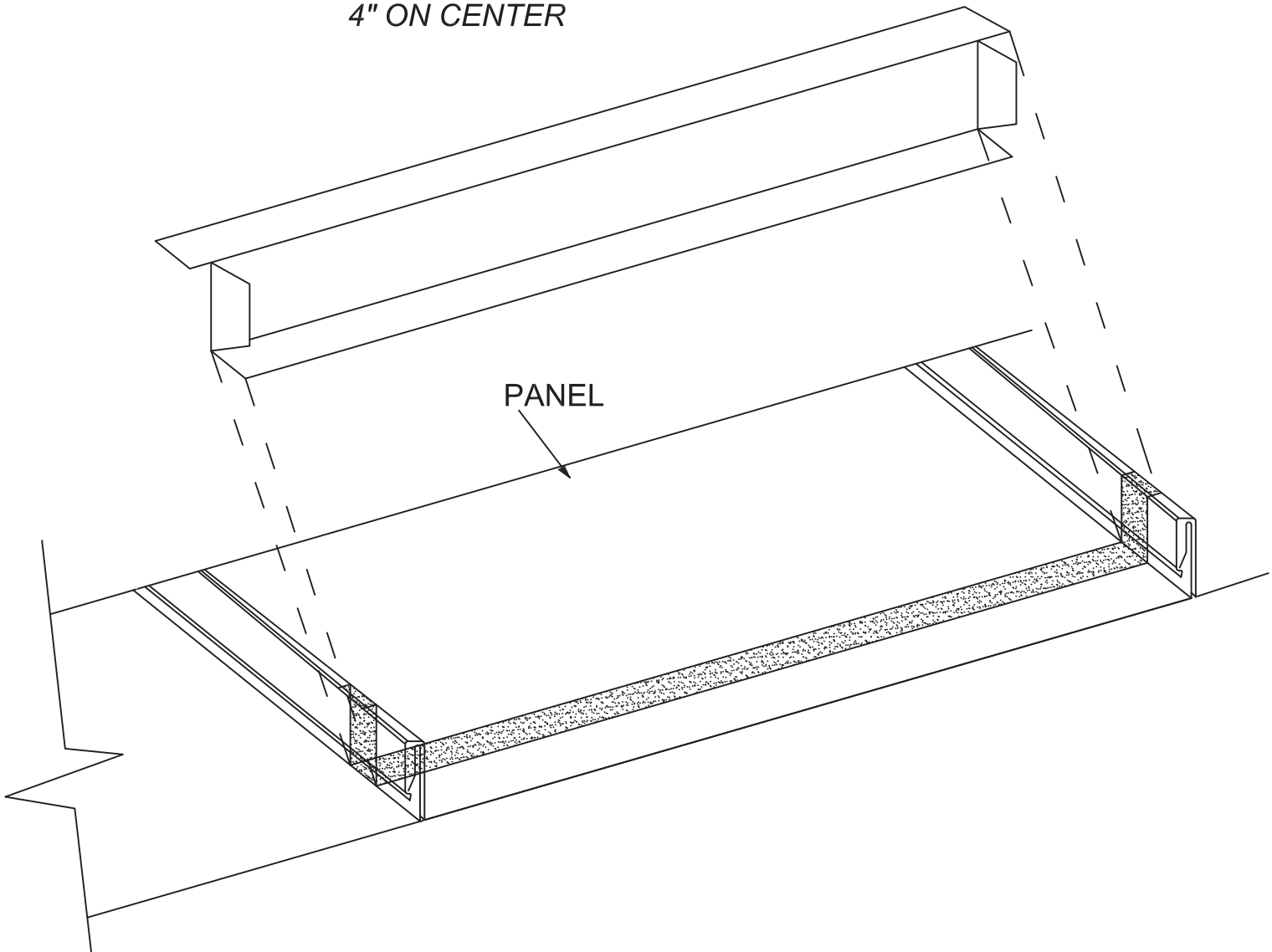


# CUSTOM-BILT METALS

Brand Products

## ZEE CLOSURE

*NOTCH ZEE AS SHOWN AND SET IN DOUBLE BEAD TAPE  
FASTEN THROUGH PANEL 1" IN FROM SIDES AND  
4" ON CENTER*

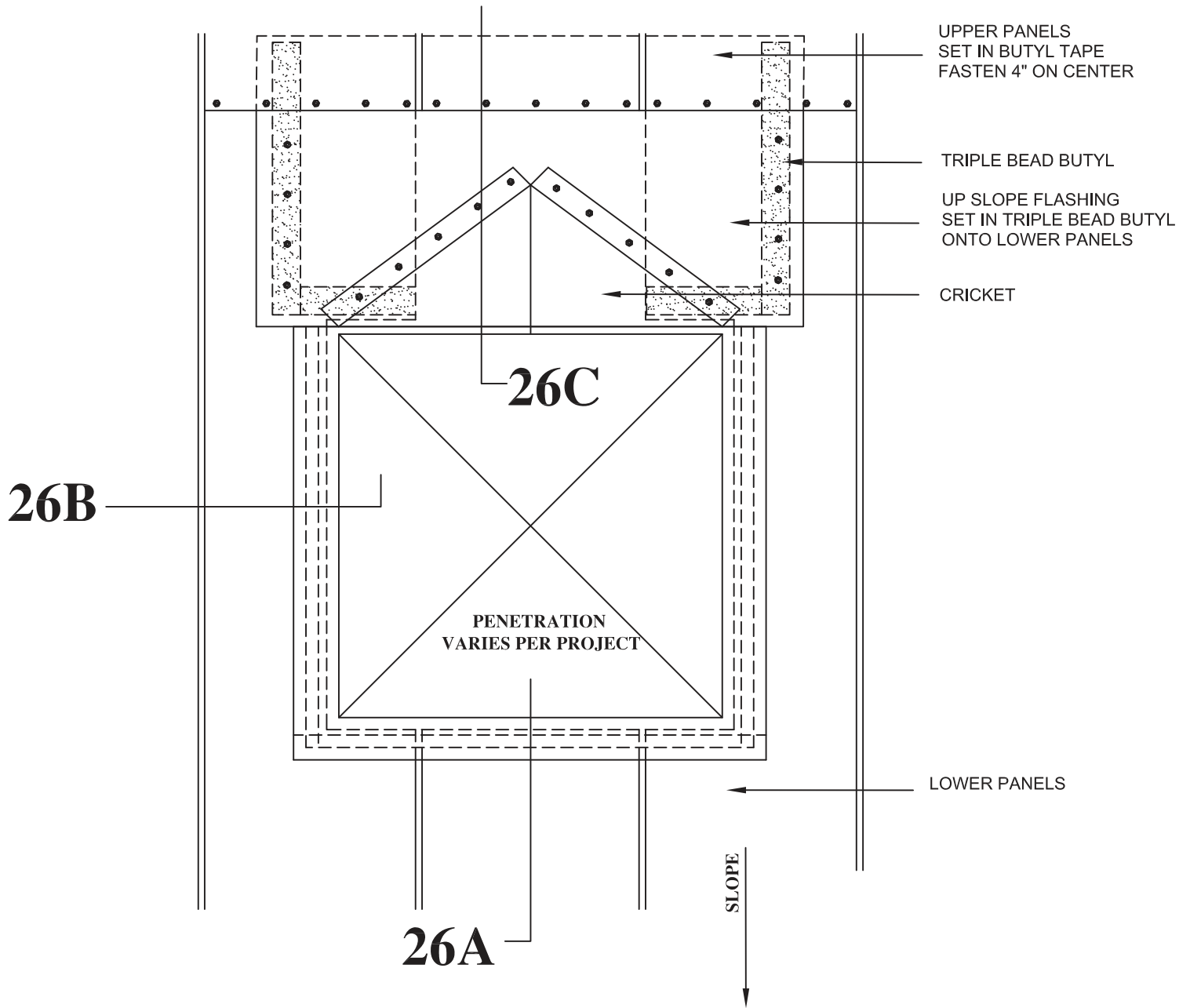


### DRAWING: R25 ZEE CLOSURE / ISOMETRIC

All Flashing and Trim available through CBM

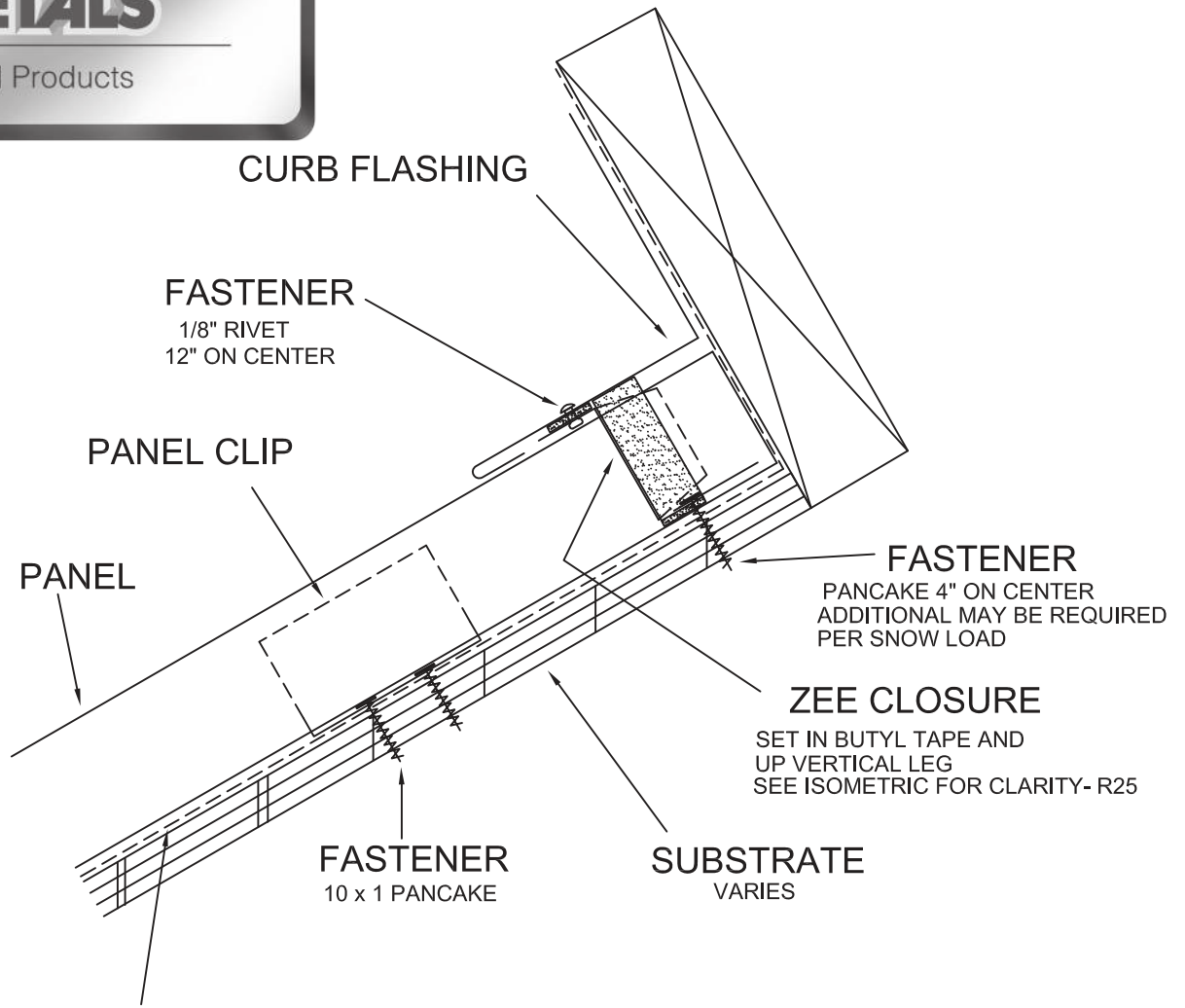
Note:

SUBJECT TO CHANGE WITHOUT NOTICE

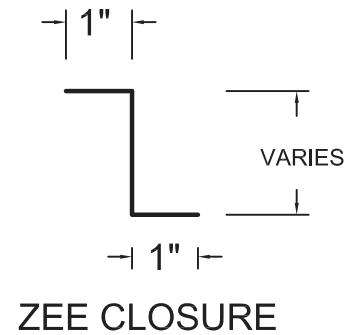
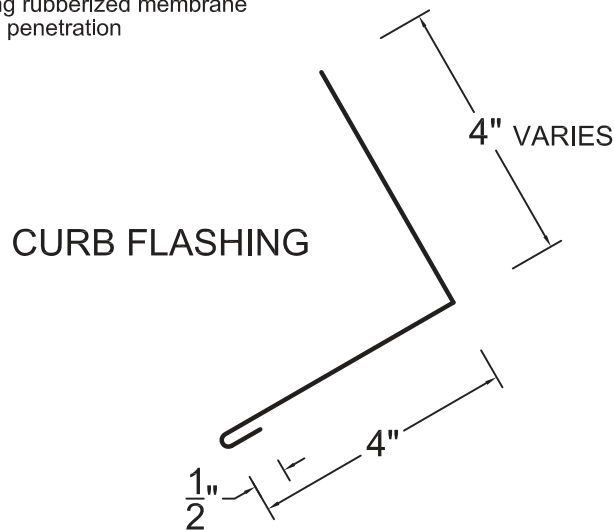


**DRAWING: R26 CURB PENETRATION**

All Flashing and Trim available through CBM	Note:
SUBJECT TO CHANGE WITHOUT NOTICE	

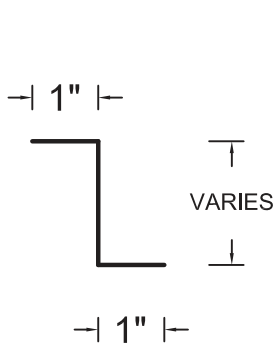
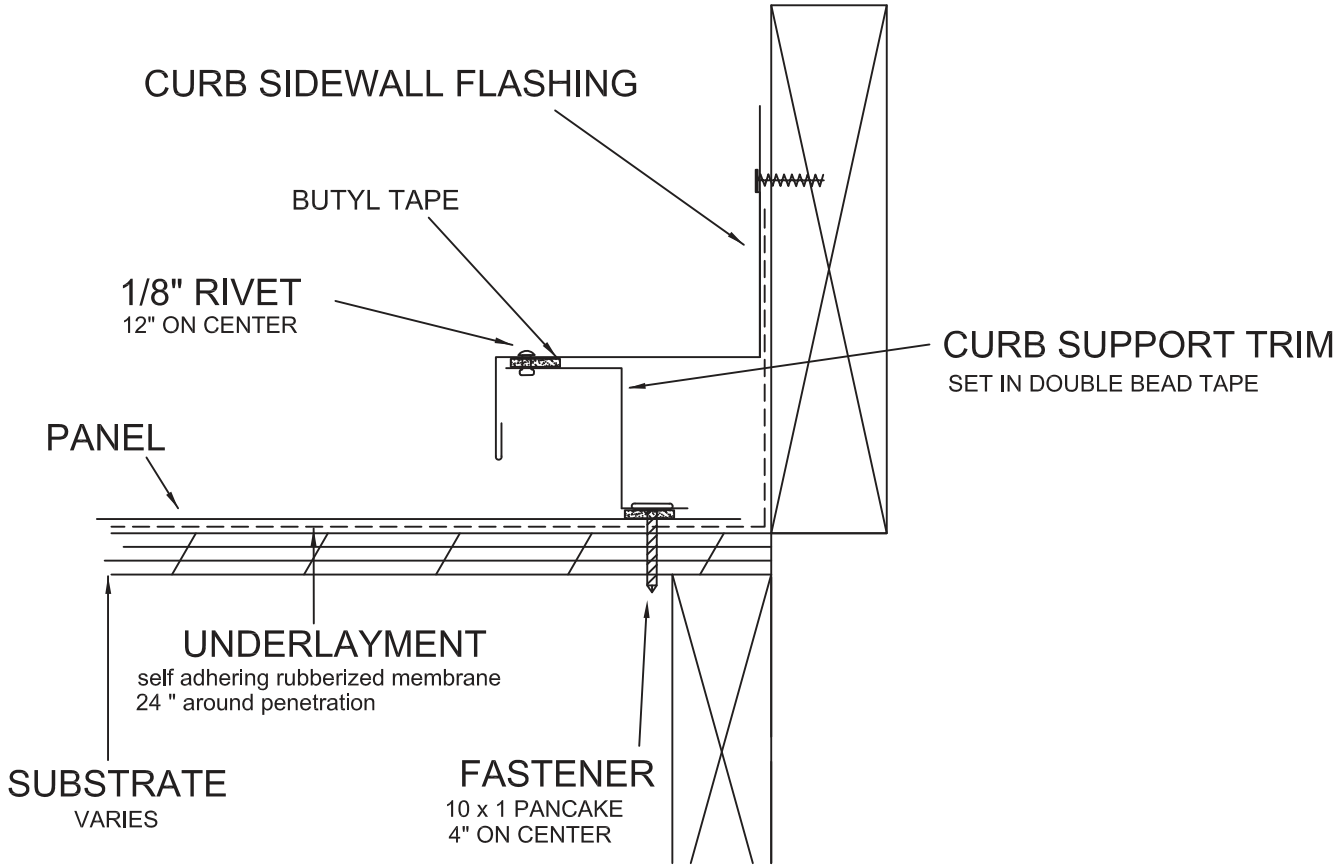


**UNDERLAYMENT**  
self adhering rubberized membrane  
24 " around penetration

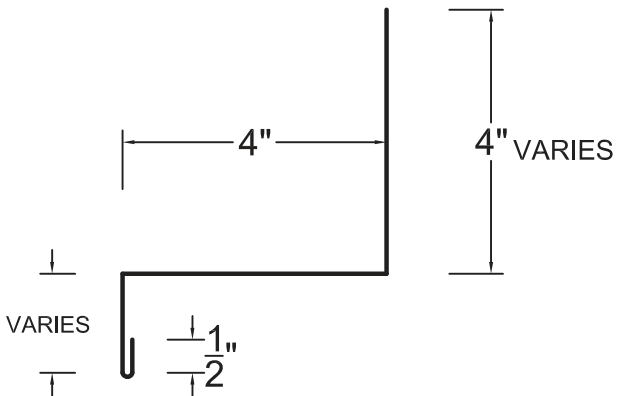


**DRAWING: R26a CURB PENETRATION / section**

All Flashing and Trim available through CBM	Note:
SUBJECT TO CHANGE WITHOUT NOTICE	



CURB SUPPORT TRIM



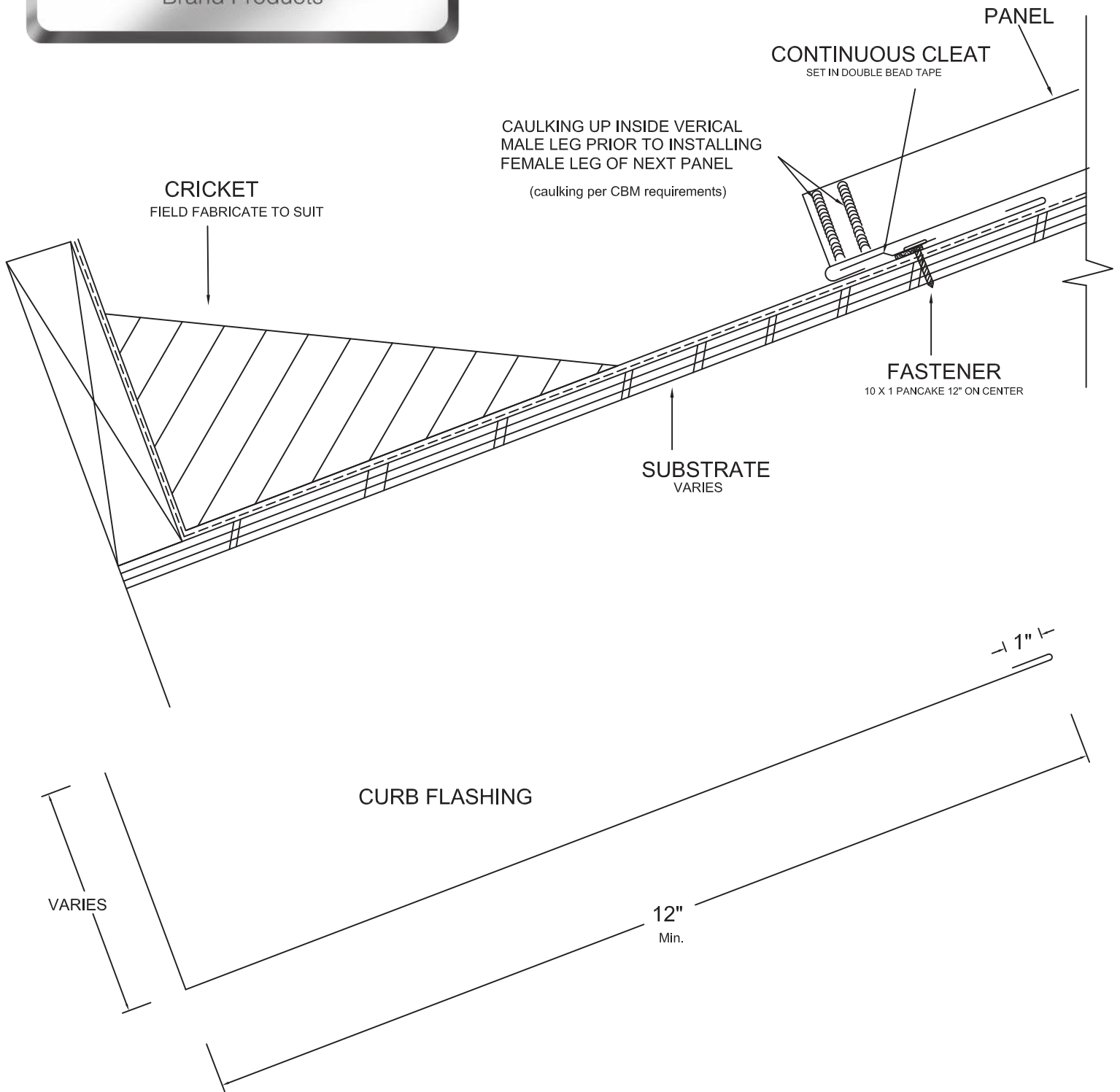
CURB SIDEWALL FLASHING

**DRAWING: R26b CURB PENETRATION / section**

All Flashing and Trim available through CBM	Note:
SUBJECT TO CHANGE WITHOUT NOTICE	

# CUSTOM-BILT METALS

Brand Products



## DRAWING: R26c CURB PENETRATION / section

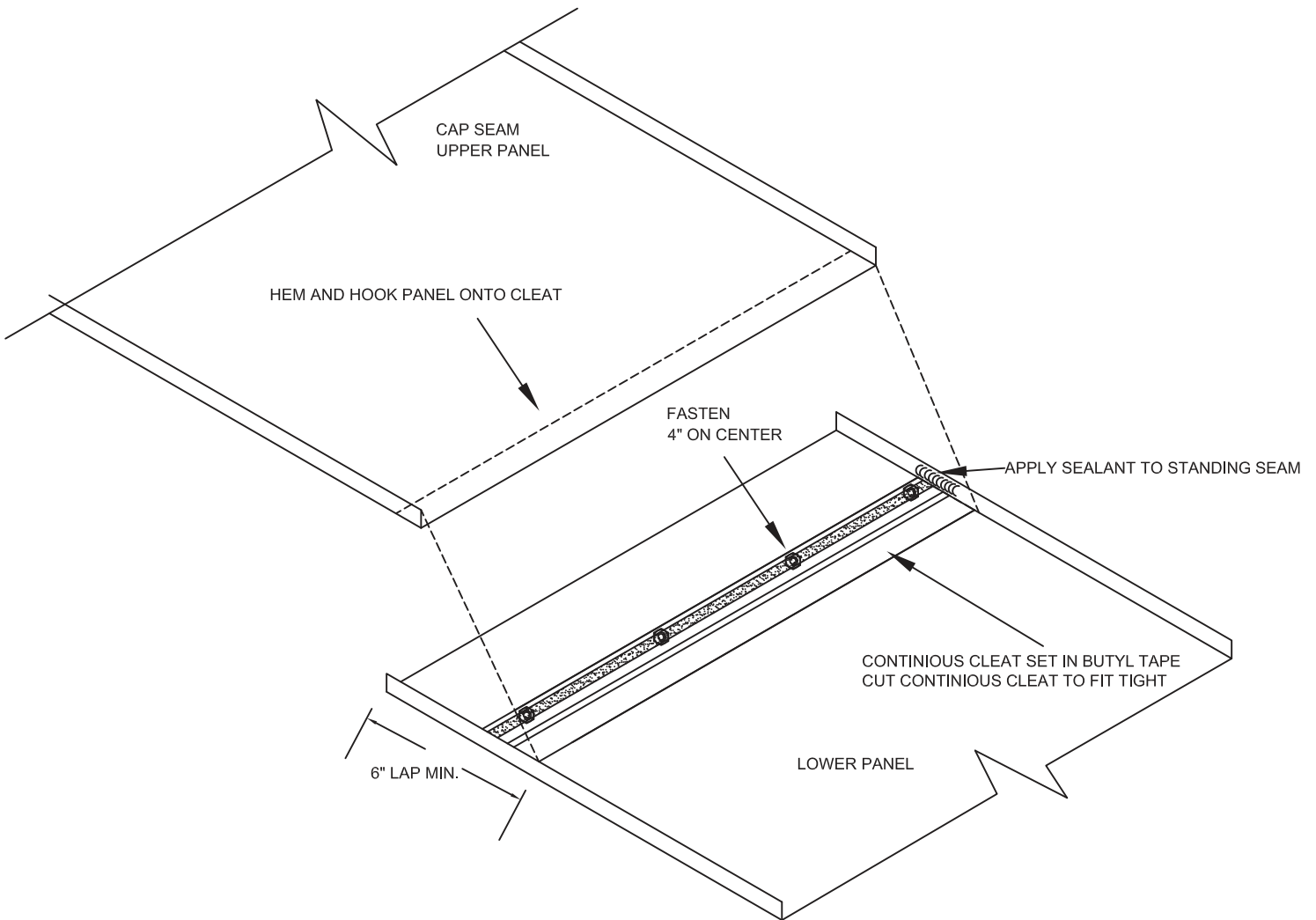
All Flashing and Trim available through CBM

Note: Alternate

SUBJECT TO CHANGE WITHOUT NOTICE

# CUSTOM-BILT METALS

Brand Products














## DRAWING: R27A PANEL LAP

All Flashing and Trim available through CBM

Note: ALTERNATE

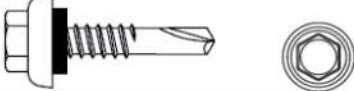




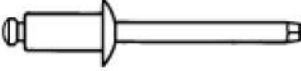
SUBJECT TO CHANGE WITHOUT NOTICE

## Fastener Selection

Fastener	Description	USE
	#10 Pancake Screw Type A Zinc Plated Quadrex Drive	Metal to wood Clip or Trim to wood substrate
	#10 Pancake Screw Self-drill Zinc Plated Quadrex Drive	Metal to metal Clip or Trim to Metal substrate Min projection: 3/8" below substrate
	#10 Pancake Screw Type A Stainless Steel Quadrex Drive	Metal to wood Clip or Trim to wood substrate
	#12 Pancake Screw Self-drill Zinc Plated Quadrex Drive	Metal to metal Clip or Trim to Metal substrate
	#12 Pancake Screw Self-drill Stainless Steel	Metal to metal Clip or Trim to Metal substrate
	1/4-14 #2 Point 5/16" AF Zinc	Metal to metal Clip to Metal substrate
	Woodgrip/Painted #9-15 HWH Zinc Plated Sharp A Point w/washer 1/4" Hex Washer Head	Flashing / Trim to wood substrate
	Evergrip / Painted #9-15 HWH Stainless Steel Sharp A Point w/washer 1/4" Hex Washer Head	Flashing / Trim to wood substrate
	#12-14 Impax 5/16" Hex Washer Head SD2	Metal to metal Trim to Metal substrate
	1/4-14 X 7/8 Impax Lap 5/16" Hex Washer Head	Trim to Panel attachment Trim to Trim attachment Light gauge to Light gauge
	1/4-14 ZAC Lap (5/16") 5/16" AF Zinc Aluminum Capped Hex Washer Head	Trim to Panel attachment Trim to Trim attachment Light gauge to Light gauge

# CUSTOM-BILT METALS

Brand Products

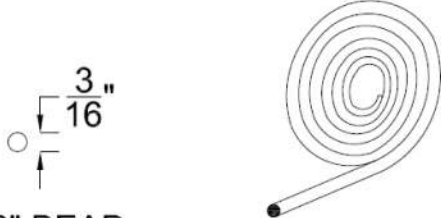
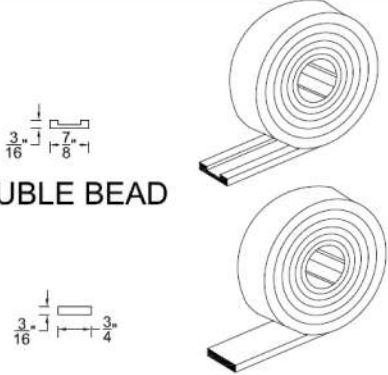
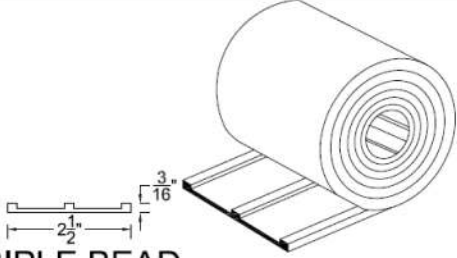


	<p><b>12-14 ZAC (5/16")</b> 5/16" AF Zinc Aluminum Capped Hex Washer Head</p>	<p><b>Flashing / Trim to Metal substrate</b></p>
	<p><b>10-15 HiLo WoodZac</b> 5/16" AF Zinc Aluminum Capped Hex Washer Head</p>	<p><b>Flashing / Trim to wood substrate</b></p>
	<p><b>#14 Dekfast</b> <b>#3 Philips Head</b></p>	<p><b>Metal to metal Clip to Metal substrate</b> Typical usage to attach panel clips through rigid insulation</p>
	<p><b>#14 Type A</b> <b>Mill Point</b> 5/16" Hex Washer Head</p>	<p><b>Metal to Metal and Metal to Wood</b> Recommende d for Contour 7/8 Roofing</p>
	<p><b>#12-14 Self-Drill</b> <b>STAINLESS Steel</b></p>	<p><b>Flashing / Trim to Metal substrate</b></p>
	<p><b>Blind Rivets</b> <b>Trim to Trim attachment</b></p>	<p>Stainless #43 1/8" Dia. Grip range .126 - .187</p> <p>Stainless #44 1/8" Dia. Grip range .188 - .250</p> <p>Aluminum #43 1/8" Dia. Grip range .126 - .187</p> <p>Aluminum #44 1/8" Dia. Grip range .188 - .250</p> <p>Available prefinished in standard colors</p>



# CUSTOM-BILT METALS


Brand Products

## SEALANTS

SEALANT	Description	USE
 <p>3/16" BEAD</p>	<p>3/16" Bead Butyl Tape 25 foot rolls</p>	<p>Field applied seam sealant for concealed areas ONLY</p>
 <p>DOUBLE BEAD</p>	<p>7/8" Double Bead Butyl Tape 40 foot rolls</p> <p>3/4" Flat Butyl Tape 50 foot rolls</p>	<p>Per Recommended Details for concealed areas ONLY</p>
 <p>TRIPLE BEAD</p>	<p>2 1/2" Triple Bead Butyl Tape 20 foot rolls</p>	<p>Per Recommended Details for concealed areas ONLY</p>
	<p>10.5 oz. Cartridge-Non-Skinning Butyl Caulk</p>	<p>Gunnable caulk for concealed areas ONLY</p>
	<p>10.5 oz. Cartridge 1-component, polyurethane sealant</p>	<p>Gunnable caulk may be used in exposed areas</p>

## PAINT

### DESCRIPTION AND USE

	<p>DURANAR ADS PENS (air dry system) Touch Up paint for small / minor scratches in roofing material</p>
---	---

## PIPE FLASHINGS



DEKTITE SIZE	FIT PIPE SIZES	Description
1	1/4" – 2"	Standard gray Temp range 212°
2	1 3/4" – 3 1/4"	Standard gray Temp range 212°
3	1/4" – 5"	Standard gray Temp range 212°
4	3" - 6 1/4"	Standard gray Temp range 212°
5	4 1/4" – 7 1/2"	Standard gray Temp range 212°
6	5" – 9"	Standard gray Temp range 212°
7	6" – 11"	Standard gray Temp range 212°
8	7" – 13"	Standard gray Temp range 212°
9	10" – 19"	Standard gray Temp range 212°

1	1/4" – 2"	High temp Red Temp range 437°
2	1 3/4" – 3 1/4"	High temp Red Temp range 437°
3	1/4" – 5"	High temp Red Temp range 437°
4	3" - 6 1/4"	High temp Red Temp range 437°
5	4 1/4" – 7 1/2"	High temp Red Temp range 437°
6	5" – 9"	High temp Red Temp range 437°
7	6" – 11"	High temp Red Temp range 437°
8	7" – 13"	High temp Red Temp range 437°
9	10" – 19"	High temp Red Temp range 437°



DEKTITE SIZE	FIT PIPE SIZES	Description
1	3/4" – 2 3/4"	Standard gray Temp range 212°
2	2" – 7 1/4"	Standard gray Temp range 212°
3	3 1/4" – 10"	Standard gray Temp range 212°





Corporate Headquarters  
1333 Corporate Drive, Suite 103  
Irving, TX 75038  
(800) 826-7813  
(972) 753-1111 Fax

Kent, WA  
825 Central Ave. South  
Kent, WA 98032  
(253) 872-7330  
(253) 395-7782 Fax  
(800) 225-4682

Spokane, WA  
812 North Madelia  
Spokane, WA 99202  
(509) 533-1703  
(509) 533-1182 Fax  
(800) 249-7372

Chino, CA  
13950 Magnolia Ave.  
Chino, CA 91710  
(909) 664-1587  
(909) 664-1577 Fax  
(800) 886-2458

Sacramento, CA  
4522 Parker Ave. Suite 400  
McClellan, CA 95652  
(916) 333-5680  
(916) 640-1825 Fax  
(800) 675-5111

San Jose, CA  
121 Component Drive  
San Jose, CA 95131  
(408) 433-0823

Portland, OR  
3250 NW Yeon Ave. Suite E-1  
Portland, OR 97210  
(503) 256-3328  
(503) 256-4572 Fax  
(800) 228-3143

Phoenix, AZ  
115 Pioneer Street  
Phoenix, AZ 85040  
(602) 484-7015  
(602) 484-0844 Fax  
(800) 737-9030

New Orleans, LA  
300 Jefferson Hwy.  
Bldg. 11, Suite 1101  
New Orleans, LA 70121  
(504) 838-9344  
(504) 838-9346 Fax  
(800) 627-8040

Honolulu, HI  
2312 Kamehameha Highway  
Honolulu, HI 96819  
(808) 845-1806  
(808) 845-2702 Fax